







# LISTA DE PREÇO

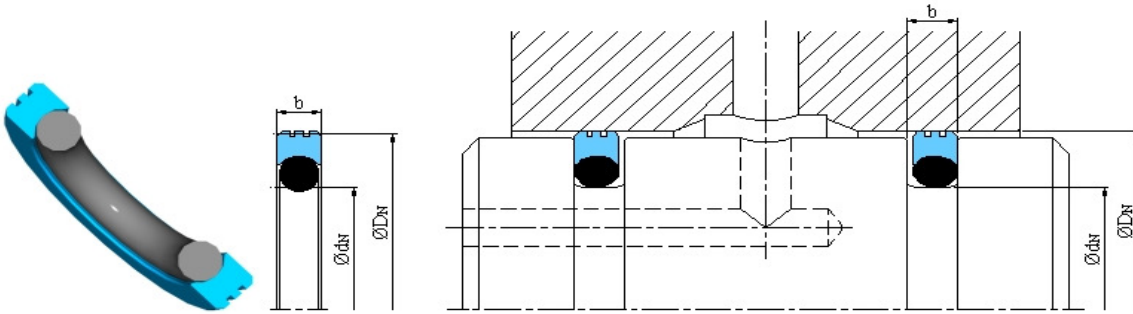
## Ret. Rotary

			
<b>OC-01</b>	<b>OC-02</b>	<b>OH-01</b>	<b>OR-01</b>
<b>BUSAK DINAFLON</b>	<b>BUSAK DINAFLON</b>	<b>BUSAK DINAFLON</b>	<b>BUSAK DINAFLON</b>
<b>BORRACHAS</b>			
<b>PTFE:            AZ/EZ/BR/GRF (460/99.999) = Formulação.</b>			
<b>LONA+NBR:        Pt 85 Sh. (460/60.366) = Formulação.</b>			

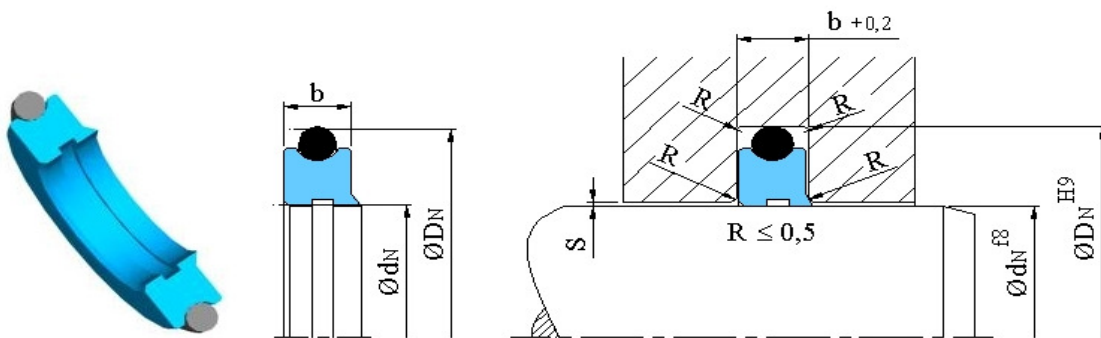


# APLICAÇÃO

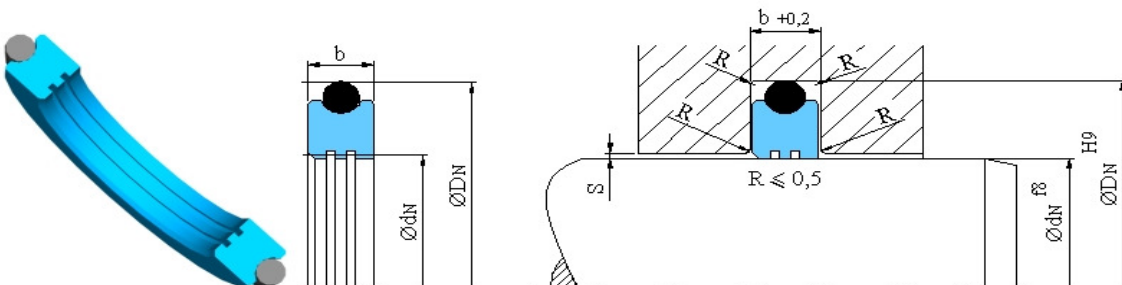
OC-01



OH-01



OR-01



Código	Especificação	M1	M2	M3	Modelo	Composto	Mercado	Preco R\$	Estoque	Prazo
55893	Ret.ROTARY	8,00	16,00	5,00	OR-01	Ptfe-CZ				
53961	Ret.ROTARY	12,00	19,00	3,20	OR-01	Ptfe-CZ				
55808	Ret.ROTARY	25,00	32,30	3,20	OR-01	Ptfe-CZ				
54420	Ret.ROTARY	30,00	43,00	4,20	OR-01	Ptfe-AZ				
53851	Ret.ROTARY	34,40	45,70	4,20	OR-01	Ptfe-CZ				
56156	Ret.ROTARY	38,00	45,20	4,80	OR-01	Ptfe-AZ				
54421	Ret.ROTARY	50,00	39,00	4,20	OC-01	Ptfe-AZ				
55725	Ret.ROTARY	56,00	51,10	2,20	OC-01	Ptfe-CZ				
91556	Ret.ROTARY	66,50	83,00	6,10	OH-02	Ptfe-CZ				
91559	Ret.ROTARY	69,50	86,00	6,00	OH-02	Ptfe-CZ				
91558	Ret.ROTARY	69,50	91,00	7,60	OR-02	Ptfe-CZ				
91441	Ret.ROTARY	74,00	90,50	6,00	OH-02	Ptfe-CZ				
55669	Ret.ROTARY	75,00	67,50	3,20	OC-01	Ptfe-CZ				
53818	Ret.ROTARY	75,00	86,00	4,20	OR-01	Ptfe-CZ				
91440	Ret.ROTARY	77,00	93,50	6,00	OH-02	Ptfe-CZ				
91421	Ret.ROTARY	79,00	101,00	7,60	OR-02	Ptfe-CZ				
91722	Ret.ROTARY	79,10	101,60	7,60	OR-02	Ptfe-CZ				
56148	Ret.ROTARY	80,00	69,00	4,20	OC-01	Ptff-BR				
55723	Ret.ROTARY	84,00	94,70	4,20	OR-01	Ptfe-CZ				
54436	Ret.ROTARY	85,00	75,00	6,20	OC-01	Ptfe-AZ				
90537	Ret.ROTARY	87,00	100,00	5,50	PR-01	Ptfe-AZ				
91439	Ret.ROTARY	89,00	111,00	7,60	OR-02	Ptfe-CZ				
91557	Ret.ROTARY	94,50	110,00	6,00	OH-02	Ptfe-CZ				
91560	Ret.ROTARY	99,00	115,00	6,00	OH-02	Ptfe-CZ				
54539	Ret.ROTARY	100,00	89,00	4,20	OC-01	Ptfe-AZ				
45894	Ret.ROTARY	100,00	111,00	4,20	OR-01	Ptfe-AZ				
91442	Ret.ROTARY	104,00	125,00	6,00	OH-02	Ptfe-CZ				
91422	Ret.ROTARY	109,00	125,00	6,00	OH-02	Ptfe-CZ				
50364	Ret.ROTARY	110,00	99,00	4,20	OC-01	Ptff-CZ				
46091	Ret.ROTARY	110,00	121,00	4,20	OH-01	Ptfe-AZ				
54862	Ret.ROTARY	115,00	135,00	12,00	PR-01	Ptfe-CZ				
51868	Ret.ROTARY	120,00	131,00	4,20	OR-01	Ptfe-AZ				
54540	Ret.ROTARY	125,00	114,00	4,20	OC-01	Ptfe-AZ				
50380	Ret.ROTARY	180,00	191,50	4,20	OH-01	Ptfe-AZ				
46655	Ret.ROTARY	225,00	245,00	8,00	OR-01	Tec/Nbr 85Sh				
55848	Ret.ROTARY	230,00	214,50	6,30	OC-01	Ptfe-AZ				
55849	Ret.ROTARY	230,00	214,50	7,00	OC-02	Ptfe-AZ				
46652	Ret.ROTARY	234,50	253,50	7,00	OR-01	Tec/Nbr 85Sh				
50514	Ret.ROTARY	260,00	271,20	4,20	OH-01	Ptff-CZ				
50511	Ret.ROTARY	280,00	269,60	4,20	OC-01	Ptff-CZ				
50512	Ret.ROTARY	310,00	320,40	4,20	OH-01	Ptff-CZ				
50513	Ret.ROTARY	380,00	391,20	4,20	OH-01	Ptff-CZ				