



LISTA DE PREÇO

MODELO - D Ring

 D-01C	 D-02H	 D-03E
PNEUMÁTICOS E HIDRÁULICOS		

BORRACHAS

Nitrílica: Nbr - Pt 70 Sh. (460/60.134) = Formulação.

Viton: Vi - Pt 70 Sh. (460/60.056) = Formulação.

Silicone: Vmq - Vr 70 Sh. (460/60.233) = Formulação.

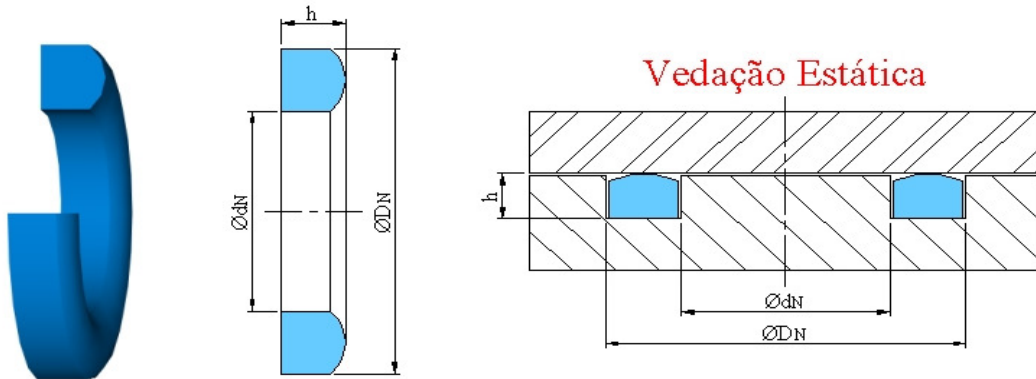
EPDM: Ep - Az 70 Sh. (460/60.192) = Formulação.

Neoprene: Cr - Cz 70 Sh. (460/60.345) = Formulação.

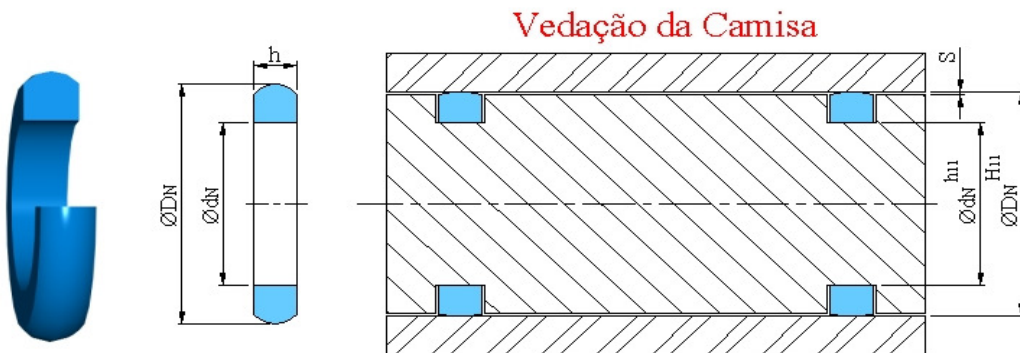


APLICAÇÃO

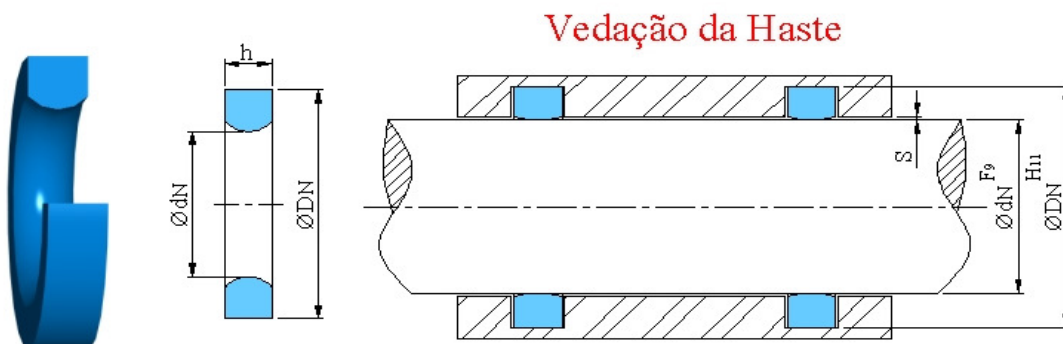
D-03E



D-01C



D-02H



Código	Especificação	M1	M2	M3	Modelo	Composto	Mercado	Preco R\$	Estoque	Prazo
42584	Anel D-Ring	5,00	11,10	2,20	D-03E	Si-VM 80Sh				
90856	Anel D-Ring	6,35	12,70	1,60	D-01C	Nbr-PT 70sh A				
56522	Anel D-Ring	7,00	11,00	1,50	D-03E	Vi-fkm 80sh-Pt				
56523	Anel D-Ring	7,00	12,00	2,00	D-03E	Vi-fkm 80sh-Pt				
38852	Anel D-Ring	7,00	13,50	2,00	D-03E	Si-VM 80Sh				
50783	Anel D-Ring	8,00	11,00	2,00	D-03E	Nbr-PT 80Sh				
38243	Anel D-Ring	8,00	12,00	1,85	D-03E	Nbr-PT 70sh A				
51919	Anel D-Ring	8,00	12,00	2,50	D-03E	Nbr-PT 90Sh				
45597	Anel D-Ring	8,40	12,50	1,55	D-03E	Hypa-PT 80Sh				
91074	Anel D-Ring	9,00	12,50	1,60	D-03E	Nbr-PT 90Sh				
38246	Anel D-Ring	10,00	14,00	1,85	D-03E	Nbr-PT 70sh A				
40099	Anel D-Ring	10,85	16,25	1,95	D-03E	Si-VM 80Sh				
45596	Anel D-Ring	11,00	17,00	2,50	D-03E	Si-VM 80Sh				
56883	Anel D-Ring	11,00	23,00	5,00	D-02H	Vi-fkm 70sh-Pt				
40096	Anel D-Ring	11,10	15,55	1,80	D-03E	Si-VM 80Sh				
38242	Anel D-Ring	11,10	15,75	1,70	D-03E	Si-VM 80Sh				
40097	Anel D-Ring	11,10	17,05	2,10	D-03E	Si-VM 80Sh				
38247	Anel D-Ring	11,70	15,70	1,95	D-03E	Nbr-PT 70sh A				
40098	Anel D-Ring	11,70	16,40	2,00	D-03E	Si-VM 80Sh				
50784	Anel D-Ring	12,00	15,00	2,00	D-03E	Nbr-PT 80Sh				
51920	Anel D-Ring	12,00	16,00	2,50	D-03E	Nbr-PT 90Sh				
45595	Anel D-Ring	12,00	17,00	2,75	D-03E	Si-VM 80Sh				
46346	Anel D-Ring	12,22	6,55	1,78	D-01C	Vi-fkm 80sh-Pt				
91073	Anel D-Ring	12,80	15,80	2,00	D-03E	Nbr-PT 90Sh				
51921	Anel D-Ring	13,50	18,00	2,50	D-01C	Nbr-PT 80Sh				
38849	Anel D-Ring	13,60	20,40	2,40	D-03E	Si-VM/X 70Sh				
38248	Anel D-Ring	16,00	22,10	2,80	D-03E	Si-VM 80Sh				
45598	Anel D-Ring	16,25	22,50	2,60	D-03E	Si-VM 80Sh				
40093	Anel D-Ring	16,60	22,15	2,60	D-03E	Si-VM 80Sh				
38846	Anel D-Ring	16,70	24,00	2,50	D-03E	Si-VM/X 70Sh				
59860	Anel D-Ring	17,00	25,00	3,00	D-01C	Nbr-PT 70sh A				
59895	Anel D-Ring	17,00	25,00	3,00	D-03E	Nbr-PT 70sh A				
80059	Anel D-Ring	18,00	25,00	4,50	D-03E	Si-ATOX 70Sh				
55689	Anel D-Ring	19,00	23,50	1,50	D-03E	Nbr-PT 70sh A				
38245	Anel D-Ring	20,00	27,00	4,50	D-03E	Si-VM 80Sh				
45628	Anel D-Ring	22,00	28,00	2,95	D-03E	Si-VM 80Sh				
38845	Anel D-Ring	23,00	30,00	2,50	D-03E	Si-VM 40Sh				
53768	Anel D-Ring	23,00	30,00	2,50	D-03E	Si-VM/X 70Sh				
53810	Anel D-Ring	23,00	33,00	4,50	D-03E	Si-ATOX 70Sh				
38850	Anel D-Ring	26,00	18,00	4,50	D-01C	Si-VM 80Sh				
46379	Anel D-Ring	26,20	22,50	2,00	D-01C	Si-VM/X 70Sh				
55690	Anel D-Ring	28,00	31,00	1,50	D-03E	Nbr-PT 70sh A				
46345	Anel D-Ring	28,20	21,50	2,53	D-01C	Vi-fkm 80sh-Pt				
38844	Anel D-Ring	30,00	39,50	5,50	D-03E	Si-VM/X 70Sh				
40230	Anel D-Ring	30,00	40,00	5,00	D-03E	Nbr-PT 70sh A				
53808	Anel D-Ring	30,00	40,00	5,00	D-03E	Si-ATOX 70Sh				
54810	Anel D-Ring	32,00	40,00	7,50	D-03E	Tec/Nbr 85Sh				
38249	Anel D-Ring	33,50	30,00	2,10	D-01C	Si-VM/X 70Sh				
56831	Anel D-Ring	34,50	51,00	2,50	D-01C	Nbr-PT 80Sh				
46359	Anel D-Ring	35,00	30,00	3,50	D-01C	Si-VM/X 70Sh				
91909	Anel D-Ring	35,00	41,40	3,50	D-01C	Vi-fkm 90sh-Pt				
57636	Anel D-Ring	35,00	42,20	5,00	D-02H	Nbr-PT 70sh A				
38851	Anel D-Ring	36,00	46,00	5,00	D-03E	Si-VM 80Sh				
46361	Anel D-Ring	38,00	32,00	3,50	D-01C	Si-VM/X 70Sh				
46514	Anel D-Ring	39,00	35,00	2,00	D-01C	Si-VM/X 70Sh				
59527	Anel D-Ring	39,00	48,60	4,80	D-01C	Si-INC 70Sh				
59528	Anel D-Ring	39,00	48,60	4,80	D-01C	Si-INC 70Sh				
46378	Anel D-Ring	40,20	36,50	2,00	D-01C	Si-VM/X 70Sh				
53809	Anel D-Ring	42,00	52,00	5,00	D-03E	Si-ATOX 70Sh				
91902	Anel D-Ring	49,60	64,80	10,50	D-03E	Tec/Vit 85 SH. A				
38843	Anel D-Ring	51,30	61,30	5,00	D-03E	Si-VM/X 70Sh				
40231	Anel D-Ring	53,00	63,00	5,00	D-03E	Nbr-PT 70sh A				
92309	Anel D-Ring	54,00	63,00	3,70	D-01C	Si-ATOX 80Sh				

Código	Especificação	M1	M2	M3	Modelo	Composto	Mercado	Preco R\$	Estoque	Prazo
53843	Anel D-Ring	54,00	64,00	5,00	D-03E	Nbr-PT 80Sh				
40232	Anel D-Ring	54,00	64,00	5,00	D-03E	Epdm-PT 70Sh				
51264	Anel D-Ring	65,00	47,00	18,00	D-01C	Nbr-PT 80Sh				
92308	Anel D-Ring	66,50	75,50	3,70	D-01C	Si-ATOX 80Sh				
55854	Anel D-Ring	70,00	100,00	10,00	D-03E	Neop-BR 70Sh				
38853	Anel D-Ring	71,00	81,00	5,00	D-03E	Si-ATOX 70Sh				
38244	Anel D-Ring	72,00	92,20	14,00	D-03E	Si-VM 80Sh				
92307	Anel D-Ring	78,50	87,50	3,70	D-01C	Si-ATOX 80Sh				
51192	Anel D-Ring	81,50	95,50	8,50	D-03E	Epdm-PT 70Sh				
53844	Anel D-Ring	85,00	95,00	5,00	D-03E	Si-ATOX 70Sh				
46360	Anel D-Ring	88,00	94,00	4,50	D-02H	Si-VM/X 70Sh				
53963	Anel D-Ring	90,00	80,00	4,50	D-01C	Vi-fkm 80sh-Pt				
92306	Anel D-Ring	91,00	100,00	3,70	D-01C	Si-ATOX 80Sh				
53964	Anel D-Ring	100,00	84,00	4,50	D-01C	Vi-fkm 80sh-Pt				
92353	Anel D-Ring	102,00	112,00	5,50	D-03E	Si-INC 70Sh				
47108	Anel D-Ring	102,50	112,00	6,00	D-03E	Nbr-PT 70sh A				
92296	Anel D-Ring	103,50	113,50	4,20	D-01C	Si-ATOX 80Sh				
92295	Anel D-Ring	117,00	126,00	3,70	D-01C	Si-ATOX 80Sh				
38848	Anel D-Ring	124,00	130,00	5,00	D-03E	Si-VM/X 70Sh				
40229	Anel D-Ring	124,00	130,00	5,00	D-03E	Epdm-PT 70Sh				
45701	Anel D-Ring	128,00	115,00	6,50	D-01C	Si-VM/X 70Sh				
46852	Anel D-Ring	133,00	152,00	12,00	D-03E	Nbr-PT 90Sh				
40095	Anel D-Ring	133,50	121,50	4,80	D-01C	Si-VM 80Sh				
38840	Anel D-Ring	148,59	162,57	6,99	D-03E	Si-VM 80Sh				
38841	Anel D-Ring	151,77	162,43	5,33	D-03E	Si-VM 80Sh				
38842	Anel D-Ring	151,77	165,57	6,99	D-03E	Si-VM 80Sh				
38847	Anel D-Ring	159,00	183,00	12,00	D-03E	Nbr-PT 90Sh				
51307	Anel D-Ring	188,50	197,00	3,90	D-03E	Si-ATOX 70Sh				
34541	Anel D-Ring	190,00	200,00	4,00	D-03E	Si-ATOX 70Sh				
50182	Anel D-Ring	190,00	200,00	5,00	D-01C	Nbr-PT 70sh A				
49722	Anel D-Ring	190,00	202,00	5,00	D-03E	Nbr-PT 80Sh				
46851	Anel D-Ring	190,00	214,00	12,00	D-03E	Nbr-PT 90Sh				
40100	Anel D-Ring	216,40	226,00	3,25	D-03E	Si-VM 80Sh				
51190	Anel D-Ring	233,00	239,00	2,50	D-03E	Nbr-PT 80Sh				
50185	Anel D-Ring	240,00	250,00	6,00	D-01C	Nbr-PT 70sh A				
40101	Anel D-Ring	279,30	288,90	3,15	D-03E	Si-VM 80Sh				
38180	Anel D-Ring	285,00	309,00	15,00	D-03E	Nbr-PT 40Sh				
57534	Anel D-Ring	286,00	296,00	5,50	D-03E	Si-ATOX 50Sh				
57482	Anel D-Ring	336,00	350,00	13,50	D-02H	Nbr-PT 70sh A				
56023	Anel D-Ring	375,00	359,50	14,00	D-01C	Nbr-PT 70sh A				
57481	Anel D-Ring	376,00	390,00	13,50	D-02H	Nbr-PT 70sh A				
47971	Anel D-Ring	389,70	406,00	5,80	D-03E	Nbr-PT 85Sh				
57845	Anel D-Ring	410,00	440,00	15,00	D-03E	Nbr-PT 40Sh				
47552	Anel D-Ring	425,00	451,00	14,50	D-03E	Epdm-PT 70Sh				
50321	Anel D-Ring	696,00	715,00	7,00	D-03E	Epdm-PT 70Sh				
90047	Anel D-Ring	972,00	990,60	12,00	D-03E	Si-VM/X 70Sh				
54837	Anel D-Ring	1.170,0	1.188,00	15,88	D-03E	Vi-fkm 80sh-Pt				