



## LISTA DE PREÇO

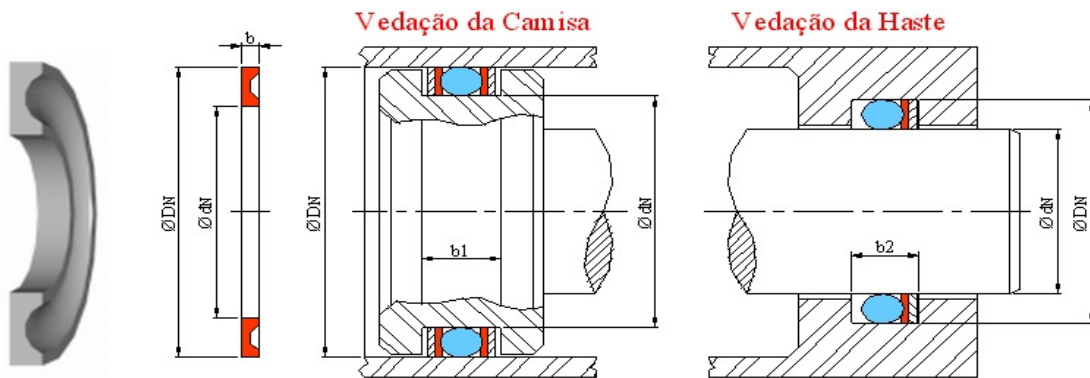
# MODELO - Back-up

		
<b>BK-01</b>	<b>BK-02</b>	<b>BK-03</b>
<b>CONVERSÃO (8004)</b>	<b>SÉRIE 2001 DE O'RING COMBINAR COM SÉRIE 8001 DE BACK-UP</b> Ex.: Anel O'Ring 2004 mesma medida que Anel Back-Up 8004	
<b>BORRACHAS</b>		
<b>Nitrílica:</b>	<b>Nbr - Pt 85 Sh. (460/60.134) = Formulação.</b>	
<b>PU:</b>	<b>Pu - Pt 90 Sh. (460/60.333) = Formulação.</b>	
<b>Viton:</b>	<b>Vi - Pt 85 Sh. (460/60.056) = Formulação.</b>	
<b>PTFE:</b>	<b>Ptfe/BR/GRF (460/99.999) = Formulação.</b>	

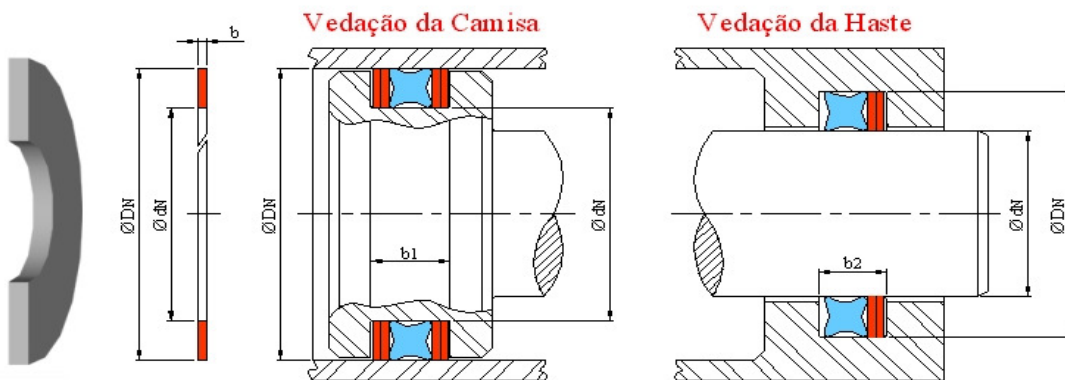


# APLICAÇÃO

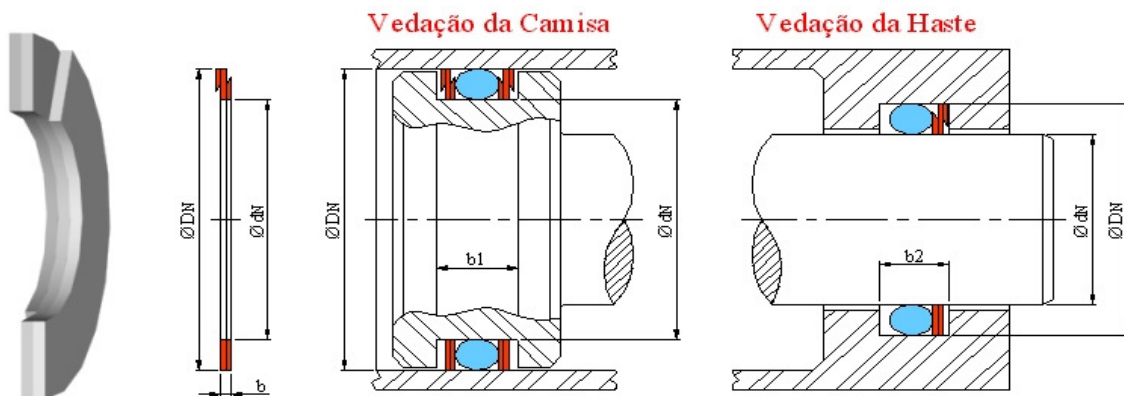
BK-01



BK-02



BK-03



Código	Especificação	M1	M2	M3	M4	Modelo	Composto	Mercado	Preco R\$	Estoque	Prazo
52119	Anel Back-UP	3,22	5,92	1,35	1,24	BK-01	Nbr-PT 85Sh				
35272	Anel Back-UP	3,56	6,26	1,35	1,24	BK-01	Nbr-PT 85Sh	(8005)			
35273	Anel Back-UP	4,34	7,04	1,35	1,24	BK-01	Nbr-PT 85Sh	(8006)			
35274	Anel Back-UP	5,13	7,83	1,35	1,24	BK-01	Nbr-PT 85Sh	(8007)			
46508	Anel Back-UP	5,40	7,90	1,25	0,65	BK-03	PtfP-BR	(8008)			
92733	Anel Back-UP	5,70	8,60	1,35	1,24	BK-01	Vi-fkm 80sh-Pt				
35275	Anel Back-UP	5,94	8,64	1,35	1,24	BK-01	Nbr-PT 85Sh				
92744	Anel Back-UP	6,20	9,00	1,40	0,60	BK-02	Vi-fkm 80sh-Pt	(8009)			
35276	Anel Back-UP	6,73	9,43	1,35	1,24	BK-01	Nbr-PT 85Sh				
55148	Anel Back-UP	6,73	9,43	1,35	1,24	BK-01	PtfP-BR	(8010)			
52097	Anel Back-UP	6,73	11,09	2,18	1,35	BK-01	Nbr-PT 85Sh	(8010)			
51975	Anel Back-UP	8,00	10,80	1,40	1,20	BK-03	PtfP-BR	(8108)			
92735	Anel Back-UP	8,00	11,00	1,50	1,20	BK-02	Vi-fkm 80sh-Pt				
55871	Anel Back-UP	8,10	10,85	1,38	2,50	BK-02	PtfP-BR				
35277	Anel Back-UP	8,31	11,01	1,35	1,24	BK-01	Nbr-PT 85Sh				
35317	Anel Back-UP	8,31	12,67	2,18	1,35	BK-01	Nbr-PT 85Sh	(8011)			
90027	Anel Back-UP	8,90	12,50	1,80	1,50	BK-01	Vi-fkm 80sh-Pt	(8109)			
35278	Anel Back-UP	9,91	12,61	1,35	1,24	BK-01	Nbr-PT 85Sh				
92734	Anel Back-UP	9,91	12,61	1,35	1,24	BK-01	Vi-fkm 80sh-Pt	(8012)			
35318	Anel Back-UP	9,91	14,27	2,18	1,35	BK-01	Nbr-PT 85Sh				
92740	Anel Back-UP	10,00	13,00	1,50	1,00	BK-01	Vi-fkm 80sh-Pt	(8110)			
42455	Anel Back-UP	10,00	17,00	3,50	1,50	BK-02	PtfP-BR				
80473	Anel Back-UP	10,50	13,80	1,65	1,40	BK-02	PtfP-BR				
56499	Anel Back-UP	10,70	13,80	1,55	1,80	BK-01	Nbr-PT 85Sh				
90025	Anel Back-UP	10,80	14,30	1,75	1,80	BK-01	Vi-fkm 80sh-Pt				
92737	Anel Back-UP	11,00	14,00	1,50	0,60	BK-01	Vi-fkm 80sh-Pt				
55270	Anel Back-UP	11,20	14,00	1,40	0,90	BK-02	PtfP-BR				
55962	Anel Back-UP	11,20	14,00	1,40	1,50	BK-02	PtfP-BR				
35319	Anel Back-UP	11,48	15,84	2,18	1,35	BK-01	Nbr-PT 85Sh				
50187	Anel Back-UP	11,50	15,50	2,00	2,00	BK-01	Nbr-PT 85Sh	(8111)			
35279	Anel Back-UP	11,56	14,26	1,35	1,24	BK-01	Nbr-PT 85Sh				
55181	Anel Back-UP	11,60	14,10	1,25	1,65	BK-02	PtfP-BR	(8013)			
49683	Anel Back-UP	11,80	15,00	1,60	0,80	BK-02	PtfP-BR				
51369	Anel Back-UP	12,00	16,00	2,00	2,00	BK-02	PtfP-BR				
52121	Anel Back-UP	12,29	18,29	3,00	1,27	BK-01	Nbr-PT 85Sh				
57566	Anel Back-UP	12,40	16,40	1,00	2,00	BK-02	PtfP-BR	(8206)			
55870	Anel Back-UP	12,60	14,80	1,10	2,20	BK-02	PtfP-BR				
35320	Anel Back-UP	13,08	17,44	2,18	1,35	BK-01	Nbr-PT 85Sh				
55156	Anel Back-UP	13,08	21,21	2,18	1,24	BK-01	PtfP-BR	(8112)			
35280	Anel Back-UP	13,16	15,85	1,35	1,24	BK-01	Nbr-PT 85Sh	(8112)			
90298	Anel Back-UP	13,16	15,85	1,35	1,24	BK-01	Vi-fkm 90sh-Pt	(8014)			
51205	Anel Back-UP	13,16	15,85	1,35	1,24	BK-01	Vi-fkm 85sh-Pt	8014			
55149	Anel Back-UP	13,16	15,85	1,35	1,24	BK-01	PtfP-BR	(8014)			
35281	Anel Back-UP	14,00	18,42	2,21	1,35	BK-02	PtfP-BR	(8014)			
35321	Anel Back-UP	14,66	19,02	2,18	1,35	BK-01	Nbr-PT 85Sh				
47818	Anel Back-UP	14,73	17,43	1,35	1,24	BK-01	Nbr-PT 85Sh	(8113)			
51206	Anel Back-UP	14,73	17,43	1,35	1,24	BK-01	Vi-fkm 85sh-Pt	(8015)			
52122	Anel Back-UP	14,73	20,73	3,00	1,27	BK-01	Nbr-PT 85Sh	(8015)			
92741	Anel Back-UP	15,50	18,00	1,25	1,00	BK-01	Vi-fkm 80sh-Pt	(8207)			
46971	Anel Back-UP	16,00	22,20	2,00	3,10	BK-02	PtfP-BR				
90032	Anel Back-UP	16,00	22,50	3,25	1,55	BK-01	Vi-fkm 80sh-Pt				
47771	Anel Back-UP	16,00	32,00	8,00	2,00	BK-02	Ny-FUN 50Sh				
52124	Anel Back-UP	16,20	25,50	4,65	1,93	BK-01	Nbr-PT 85Sh				
35322	Anel Back-UP	16,26	20,62	2,18	1,35	BK-01	Nbr-PT 85Sh	(8312)			
55157	Anel Back-UP	16,26	20,62	2,18	1,35	BK-01	PtfP-BR	(8114)			
91577	Anel Back-UP	16,33	19,03	1,35	0,85	BK-01	PtfP-BR	(8114)			
35282	Anel Back-UP	16,33	19,03	1,35	1,24	BK-01	Nbr-PT 85Sh				
90737	Anel Back-UP	16,33	19,03	1,35	1,24	BK-01	Vi-fkm 90sh-Pt	(8016)			
51207	Anel Back-UP	16,33	19,03	1,35	1,24	BK-01	Vi-fkm 85sh-Pt	(8016)			
55150	Anel Back-UP	16,33	19,03	1,35	1,24	BK-01	PtfP-BR	(8016)			
35386	Anel Back-UP	16,33	22,33	3,00	1,27	BK-01	Nbr-PT 85Sh	(8016)			
55160	Anel Back-UP	16,46	25,46	3,00	1,27	BK-01	PtfP-BR	(8208)			
57723	Anel Back-UP	16,70	21,10	2,20	0,60	BK-02	PtfP-BR	(8210)			

Código	Especificação	M1	M2	M3	M4	Modelo	Composto	Mercado	Preco R\$	Estoque	Prazo
92742	Anel Back-UP	16,70	21,10	2,20	0,60	BK-01	Vi-fkm 80sh-Pt				
35323	Anel Back-UP	17,83	22,19	2,18	1,35	BK-01	Nbr-PT 85Sh				
55158	Anel Back-UP	17,83	22,19	2,18	1,35	BK-01	PtfP-BR	(8115)			
35283	Anel Back-UP	17,91	20,61	1,35	1,24	BK-01	Nbr-PT 85Sh	(8115)			
90308	Anel Back-UP	17,91	20,61	1,35	1,24	BK-01	Vi-fkm 90sh-Pt	(8017)			
90888	Anel Back-UP	17,91	23,91	3,00	1,27	BK-01	Vi-fkm 90sh-Pt				
92739	Anel Back-UP	18,00	22,00	2,00	0,50	BK-01	Vi-fkm 80sh-Pt	8209			
50311	Anel Back-UP	18,00	22,00	2,00	1,25	BK-02	PtfP-BR				
35284	Anel Back-UP	18,51	21,21	1,35	1,24	BK-01	Nbr-PT 85Sh				
55155	Anel Back-UP	18,51	21,21	1,35	1,24	BK-01	PtfP-BR	(8018)			
52125	Anel Back-UP	19,38	28,68	4,65	1,93	BK-01	Nbr-PT 85Sh	(8018)			
35471	Anel Back-UP	19,43	23,79	2,18	1,35	BK-01	Nbr-PT 85Sh	(8314)			
52123	Anel Back-UP	19,46	25,46	3,00	1,27	BK-01	Nbr-PT 85Sh	(8116)			
35387	Anel Back-UP	19,46	25,46	3,00	1,27	BK-01	Nbr-PT 85Sh	(8210)			
90656	Anel Back-UP	19,46	25,46	3,00	1,27	BK-01	Vi-fkm 90sh-Pt	(8210)			
55159	Anel Back-UP	19,50	23,79	2,18	1,35	BK-01	PtfP-BR	8210			
91973	Anel Back-UP	19,50	23,87	2,18	1,35	BK-01	Vi-fkm 90sh-Pt	(8116)			
42458	Anel Back-UP	20,10	26,50	3,20	1,65	BK-02	PtfP-BR				
90757	Anel Back-UP	20,29	24,29	2,50	1,30	BK-01	Vi-fkm 90sh-Pt				
49389	Anel Back-UP	20,50	32,50	6,00	2,50	BK-02	Ny-FUN 50Sh				
47902	Anel Back-UP	20,96	30,26	4,65	1,93	BK-01	Nbr-PT 85Sh				
35388	Anel Back-UP	21,03	27,03	3,00	1,27	BK-01	Nbr-PT 85Sh	(8315)			
55161	Anel Back-UP	21,03	27,03	3,00	1,27	BK-01	PtfP-BR	(8211)			
35285	Anel Back-UP	21,08	23,78	1,35	1,24	BK-01	Nbr-PT 85Sh	(8211)			
91854	Anel Back-UP	21,10	25,45	1,33	0,00	BK-01	PtfP-BR	(8019)			
35325	Anel Back-UP	21,11	25,47	2,18	1,35	BK-01	Nbr-PT 85Sh				
47888	Anel Back-UP	21,60	27,60	3,00	1,25	BK-03	PtfP-BR	(8117)			
47549	Anel Back-UP	21,80	27,80	3,00	1,27	BK-01	PtfP-BR				
52126	Anel Back-UP	22,55	31,85	4,65	1,93	BK-01	Nbr-PT 85Sh				
35389	Anel Back-UP	22,63	28,63	3,00	1,27	BK-01	Nbr-PT 85Sh	(8316)			
90654	Anel Back-UP	22,63	28,63	3,00	1,27	BK-01	Vi-fkm 90sh-Pt	(8212)			
55162	Anel Back-UP	22,63	28,63	3,00	1,27	BK-01	PtfP-BR	8212			
35286	Anel Back-UP	22,68	25,38	1,35	1,24	BK-01	Nbr-PT 85Sh	(8212)			
40051	Anel Back-UP	22,68	25,38	1,35	1,24	BK-01	Vi-fkm 85sh-Pt	(8020)			
90736	Anel Back-UP	22,68	25,38	1,35	1,24	BK-01	Vi-fkm 90sh-Pt	(8020)			
35326	Anel Back-UP	22,68	27,04	2,18	1,35	BK-01	Nbr-PT 85Sh	(8020)			
46797	Anel Back-UP	23,00	29,40	3,20	0,50	BK-02	PtfP-BR	(8118)			
42496	Anel Back-UP	23,00	32,30	4,65	1,50	BK-02	PtfP-BR				
46798	Anel Back-UP	23,60	30,46	3,43	0,75	BK-02	PtfP-BR				
47903	Anel Back-UP	24,13	33,43	4,65	1,93	BK-01	Nbr-PT 85Sh				
35390	Anel Back-UP	24,21	30,21	3,00	1,27	BK-01	Nbr-PT 85Sh	(8317)			
90628	Anel Back-UP	24,21	30,21	3,00	1,27	BK-01	Vi-fkm 90sh-Pt	(8213)			
35287	Anel Back-UP	24,26	26,96	1,35	1,24	BK-01	Nbr-PT 85Sh	8213			
90297	Anel Back-UP	24,26	26,96	1,35	1,24	BK-01	Vi-fkm 90sh-Pt	(8021)			
35327	Anel Back-UP	24,28	28,64	2,18	1,35	BK-01	Nbr-PT 85Sh	8021			
90758	Anel Back-UP	25,50	30,50	2,50	1,50	BK-01	Vi-fkm 90sh-Pt	(8119)			
55420	Anel Back-UP	25,51	29,87	2,18	1,30	BK-01	Vi-fkm 85sh-Pt				
48562	Anel Back-UP	25,73	35,03	4,65	1,93	BK-01	Nbr-PT 85Sh				
35391	Anel Back-UP	25,80	31,80	3,00	1,27	BK-01	Nbr-PT 85Sh	(8318)			
55163	Anel Back-UP	25,80	31,80	3,00	1,27	BK-01	PtfP-BR	(8214)			
49388	Anel Back-UP	25,84	36,50	5,33	2,00	BK-02	Ny-FUN 50Sh	(8214)			
35288	Anel Back-UP	25,86	28,56	1,35	1,24	BK-01	Nbr-PT 85Sh				
35328	Anel Back-UP	25,86	30,22	2,18	1,35	BK-01	Nbr-PT 85Sh	(8022)			
92752	Anel Back-UP	25,86	30,22	2,18	1,35	BK-01	Vi-fkm 80sh-Pt	(8120)			
90759	Anel Back-UP	26,00	31,00	2,50	1,50	BK-01	Vi-fkm 90sh-Pt				
55419	Anel Back-UP	26,08	30,44	2,18	1,30	BK-01	Vi-fkm 85sh-Pt				
35473	Anel Back-UP	26,10	28,80	1,35	1,24	BK-01	Nbr-PT 85Sh				
42463	Anel Back-UP	26,50	31,50	2,50	1,20	BK-02	PtfP-BR				
35474	Anel Back-UP	26,50	31,50	2,50	1,50	BK-01	Nbr-PT 85Sh				
92738	Anel Back-UP	26,60	30,20	1,80	0,70	BK-01	Vi-fkm 80sh-Pt				
42460	Anel Back-UP	26,80	32,00	2,60	1,20	BK-02	PtfP-BR				
52127	Anel Back-UP	27,13	36,43	4,65	1,93	BK-01	Nbr-PT 85Sh				
92743	Anel Back-UP	27,30	32,00	2,35	1,00	BK-02	Vi-fkm 80sh-Pt	(8319)			

Código	Especificação	M1	M2	M3	M4	Modelo	Composto	Mercado	Preco R\$	Estoque	Prazo
49728	Anel Back-UP	27,30	33,40	3,05	1,25	BK-02	PtfP-BR				
35392	Anel Back-UP	27,38	33,38	3,00	1,27	BK-01	Nbr-PT 85Sh				
35289	Anel Back-UP	27,43	30,13	1,35	1,24	BK-01	Nbr-PT 85Sh	(8215)			
35329	Anel Back-UP	27,46	31,82	2,18	1,35	BK-01	Nbr-PT 85Sh	(8023)			
91766	Anel Back-UP	28,00	32,00	0,50	0,00	BK-02	PtfP-BR	(8121)			
57721	Anel Back-UP	28,00	33,00	2,50	1,30	BK-02	PtfP-BR				
50909	Anel Back-UP	28,00	40,00	6,00	1,25	BK-02	PtfP-BR				
90760	Anel Back-UP	28,24	32,80	2,28	1,50	BK-01	Vi-fkm 90sh-Pt				
92736	Anel Back-UP	28,40	32,00	1,80	0,80	BK-01	Vi-fkm 80sh-Pt				
90028	Anel Back-UP	28,80	34,00	2,60	1,50	BK-01	Vi-fkm 80sh-Pt				
48563	Anel Back-UP	28,91	38,21	4,65	1,93	BK-01	Nbr-PT 85Sh				
35393	Anel Back-UP	28,98	34,98	3,00	1,27	BK-01	Nbr-PT 85Sh	(8320)			
55164	Anel Back-UP	28,98	34,98	3,00	1,27	BK-01	PtfP-BR	(8216)			
54328	Anel Back-UP	29,00	34,00	2,50	1,50	BK-01	Nbr-PT 85Sh	(8216)			
54327	Anel Back-UP	29,00	35,00	3,00	1,75	BK-01	Nbr-PT 85Sh				
35290	Anel Back-UP	29,03	31,73	1,35	1,24	BK-01	Nbr-PT 85Sh				
35330	Anel Back-UP	29,03	33,39	2,18	1,35	BK-01	Nbr-PT 85Sh	(8024)			
53797	Anel Back-UP	30,00	35,50	2,75	1,40	BK-03	PtfP-BR	(8122)			
46970	Anel Back-UP	30,00	38,00	1,70	0,00	BK-02	PtfP-BR				
46334	Anel Back-UP	30,40	40,00	4,80	1,90	BK-01	Nbr-PT 85Sh				
45715	Anel Back-UP	30,40	40,00	4,80	1,90	BK-01	PtfP-BR				
52128	Anel Back-UP	30,48	39,78	4,65	1,93	BK-01	Nbr-PT 85Sh				
35394	Anel Back-UP	30,56	36,56	3,00	1,27	BK-01	Nbr-PT 85Sh	(8321)			
35291	Anel Back-UP	30,61	33,31	1,35	1,24	BK-01	Nbr-PT 85Sh	(8217)			
35331	Anel Back-UP	30,63	34,99	2,18	1,35	BK-01	Nbr-PT 85Sh	(8025)			
90652	Anel Back-UP	30,63	34,99	2,18	1,35	BK-01	Vi-fkm 90sh-Pt	(8123)			
35472	Anel Back-UP	31,00	34,00	1,50	1,24	BK-01	Nbr-PT 85Sh	8123			
34317	Anel Back-UP	31,00	41,00	5,00	1,80	BK-02	Ny-FUN 50Sh				
90761	Anel Back-UP	31,42	35,60	2,10	1,30	BK-01	Vi-fkm 90sh-Pt				
42450	Anel Back-UP	32,00	38,00	3,00	2,00	BK-02	PtfP-BR				
55182	Anel Back-UP	32,00	40,00	4,00	1,50	BK-02	PtfP-BR				
52129	Anel Back-UP	32,08	41,38	4,65	1,93	BK-01	Nbr-PT 85Sh				
35395	Anel Back-UP	32,16	38,16	3,00	1,27	BK-01	Nbr-PT 85Sh	(8322)			
90593	Anel Back-UP	32,16	38,16	3,00	1,27	BK-01	Vi-fkm 90sh-Pt	(8218)			
35292	Anel Back-UP	32,21	34,91	1,35	1,24	BK-01	Nbr-PT 85Sh	8218			
92731	Anel Back-UP	32,21	34,91	1,35	1,24	BK-01	Vi-fkm 80sh-Pt	(8026)			
35332	Anel Back-UP	32,21	36,57	2,18	1,35	BK-01	Nbr-PT 85Sh				
47334	Anel Back-UP	32,60	41,60	4,50	3,00	BK-02	Ny-FUN 50Sh	(8124)			
57053	Anel Back-UP	32,80	35,00	1,10	0,80	BK-01	PtfP-BR				
52130	Anel Back-UP	33,42	42,72	4,65	1,93	BK-01	Nbr-PT 85Sh				
35293	Anel Back-UP	33,78	36,48	1,35	1,24	BK-01	Nbr-PT 85Sh	(8323)			
54368	Anel Back-UP	33,80	39,90	3,05	1,00	BK-02	Ny-FUN 50Sh	(8027)			
35333	Anel Back-UP	33,81	38,18	2,18	1,35	BK-01	Nbr-PT 85Sh				
35396	Anel Back-UP	33,88	39,88	3,00	1,27	BK-01	Nbr-PT 85Sh	(8125)			
49487	Anel Back-UP	34,78	42,78	4,00	2,00	BK-03	PtfP-BR	(8219)			
42459	Anel Back-UP	35,00	42,00	3,50	1,40	BK-02	PtfP-BR				
54279	Anel Back-UP	35,00	43,00	4,00	1,75	BK-02	PtfP-BR				
52131	Anel Back-UP	35,25	44,55	4,65	1,93	BK-01	Nbr-PT 85Sh				
35294	Anel Back-UP	35,38	38,08	1,35	1,24	BK-01	Nbr-PT 85Sh	(8324)			
35334	Anel Back-UP	35,38	39,74	2,18	1,35	BK-01	Nbr-PT 85Sh	(8028)			
59856	Anel Back-UP	35,38	39,74	2,18	1,35	BK-01	Vi-fkm 85sh-Pt	(8126)			
50576	Anel Back-UP	35,38	39,74	2,18	1,35	BK-01	PtfP-BR				
35397	Anel Back-UP	35,48	41,48	3,00	1,27	BK-01	Nbr-PT 85Sh	(8126)			
54832	Anel Back-UP	35,48	41,48	3,00	1,27	BK-02	PtfP-BR	(8220)			
51152	Anel Back-UP	35,75	50,55	7,40	2,00	BK-01	Ny-FUN 50Sh	(8220)			
53793	Anel Back-UP	36,00	42,00	3,50	3,00	BK-02	PtfP-BR				
54648	Anel Back-UP	36,00	45,00	4,50	2,50	BK-02	PtfP-BR				
35335	Anel Back-UP	36,98	41,34	2,18	1,35	BK-01	Nbr-PT 85Sh				
35398	Anel Back-UP	37,06	43,06	3,00	1,27	BK-01	Nbr-PT 85Sh	(8127)			
56444	Anel Back-UP	38,00	42,40	2,20	1,30	BK-02	PtfP-BR	(8221)			
48564	Anel Back-UP	38,43	47,73	4,65	1,93	BK-01	Nbr-PT 85Sh				
35295	Anel Back-UP	38,56	41,26	1,35	1,24	BK-01	Nbr-PT 85Sh	(8325)			
35336	Anel Back-UP	38,56	42,92	2,18	1,35	BK-01	Nbr-PT 85Sh	(8029)			

Código	Especificação	M1	M2	M3	M4	Modelo	Composto	Mercado	Preco R\$	Estoque	Prazo
56017	Anel Back-UP	38,56	42,92	2,18	1,35	BK-01	PtfP-BR	(8128)			
92748	Anel Back-UP	38,56	42,92	2,18	1,35	BK-01	Vi-fkm 80sh-Pt	(8128)			
90029	Anel Back-UP	38,60	44,60	3,00	1,50	BK-01	Vi-fkm 80sh-Pt				
90629	Anel Back-UP	38,66	44,46	3,00	1,27	BK-01	Vi-fkm 90sh-Pt				
35399	Anel Back-UP	38,66	44,66	3,00	1,27	BK-01	Nbr-PT 85Sh	8222			
91380	Anel Back-UP	38,80	45,80	2,00	1,00	BK-01	Vi-fkm 90sh-Pt	(8222)			
42464	Anel Back-UP	40,10	46,20	3,05	1,35	BK-01	PtfP-BR				
35337	Anel Back-UP	40,16	44,52	2,18	1,35	BK-01	Nbr-PT 85Sh				
92750	Anel Back-UP	40,16	44,52	2,18	1,35	BK-01	Vi-fkm 80sh-Pt	(8129)			
54367	Anel Back-UP	40,60	59,90	9,65	1,00	BK-02	Ny-FUN 50Sh				
56827	Anel Back-UP	41,20	50,80	4,80	1,59	BK-02	PtfP-BR				
52163	Anel Back-UP	41,50	44,90	1,70	2,20	BK-02	PtfP-BR				
48565	Anel Back-UP	41,61	50,91	4,65	1,93	BK-01	Nbr-PT 85Sh				
35296	Anel Back-UP	41,73	44,43	1,35	1,24	BK-01	Nbr-PT 85Sh	(8326)			
90296	Anel Back-UP	41,73	44,43	1,35	1,24	BK-01	Vi-fkm 90sh-Pt	(8030)			
35338	Anel Back-UP	41,73	46,09	2,18	1,35	BK-01	Nbr-PT 85Sh	8030			
92326	Anel Back-UP	41,73	46,09	2,18	1,35	BK-01	Vi-fkm 90sh-Pt	(8130)			
35400	Anel Back-UP	41,83	47,83	3,00	1,27	BK-01	Nbr-PT 85Sh				
55843	Anel Back-UP	42,20	48,00	2,90	1,50	BK-01	PtfP-BR	(8223)			
35339	Anel Back-UP	43,33	47,69	2,18	1,35	BK-01	Nbr-PT 85Sh				
92356	Anel Back-UP	43,33	47,69	2,18	1,35	BK-01	Vi-fkm 90sh-Pt	(8131)			
90762	Anel Back-UP	43,50	49,50	3,00	1,40	BK-01	Vi-fkm 90sh-Pt				
90763	Anel Back-UP	43,50	49,50	3,00	1,80	BK-01	Vi-fkm 90sh-Pt				
53815	Anel Back-UP	44,00	50,00	3,00	1,60	BK-01	Ny-FUN 50Sh				
54829	Anel Back-UP	44,78	54,08	4,65	1,73	BK-02	PtfP-BR				
48566	Anel Back-UP	44,78	54,08	4,65	1,93	BK-01	Nbr-PT 85Sh	(8327)			
50417	Anel Back-UP	44,78	54,08	4,65	1,93	BK-01	Vi-fkm 85sh-Pt	(8327)			
35297	Anel Back-UP	44,91	47,61	1,35	1,24	BK-01	Nbr-PT 85Sh	(8327)			
40045	Anel Back-UP	44,91	47,61	1,35	1,24	BK-01	Vi-fkm 85sh-Pt	(8031)			
35340	Anel Back-UP	44,91	49,28	2,18	1,35	BK-01	Nbr-PT 85Sh	(8031)			
90630	Anel Back-UP	44,91	49,28	2,18	1,35	BK-01	Vi-fkm 90sh-Pt	(8132)			
55359	Anel Back-UP	44,91	49,28	2,18	1,90	BK-01	Neop-PT 85Sh	8132			
90764	Anel Back-UP	45,00	50,00	2,50	1,50	BK-01	Vi-fkm 90sh-Pt				
59884	Anel Back-UP	45,00	51,00	3,00	1,27	BK-01	Vi-fkm 90sh-Pt				
35401	Anel Back-UP	45,01	51,01	3,00	1,27	BK-01	Nbr-PT 85Sh	8224			
42465	Anel Back-UP	45,20	50,00	2,40	1,40	BK-02	PtfP-BR	(8224)			
91434	Anel Back-UP	46,00	52,00	3,00	1,25	BK-02	PtfP-BR				
50945	Anel Back-UP	46,50	56,00	4,75	1,65	BK-03	PtfP-BR				
35341	Anel Back-UP	46,51	50,87	2,18	1,35	BK-01	Nbr-PT 85Sh				
35269	Anel Back-UP	47,10	54,30	3,60	1,20	BK-01	Nbr-PT 85Sh	(8133)			
49408	Anel Back-UP	47,96	57,26	4,65	1,93	BK-01	Nbr-PT 85Sh				
90123	Anel Back-UP	47,96	57,26	4,65	1,93	BK-01	Vi-fkm 90sh-Pt	(8328)			
35298	Anel Back-UP	48,08	50,78	1,35	1,24	BK-01	Nbr-PT 85Sh	(8328)			
35342	Anel Back-UP	48,08	52,44	2,18	1,35	BK-01	Nbr-PT 85Sh	(8032)			
35402	Anel Back-UP	48,18	54,18	3,00	1,27	BK-01	Nbr-PT 85Sh	(8134)			
90243	Anel Back-UP	48,18	54,18	3,00	1,27	BK-01	Vi-fkm 90sh-Pt	(8225)			
49485	Anel Back-UP	49,00	59,50	5,25	2,30	BK-03	PtfP-BR	8225			
35343	Anel Back-UP	49,68	54,04	2,18	1,35	BK-01	Nbr-PT 85Sh				
90026	Anel Back-UP	49,80	55,50	2,85	1,55	BK-01	Vi-fkm 80sh-Pt	(8135)			
50915	Anel Back-UP	50,00	55,00	2,50	1,25	BK-02	PtfP-BR				
51068	Anel Back-UP	50,00	60,00	5,00	1,25	BK-02	PtfP-BR				
57685	Anel Back-UP	50,50	55,00	2,25	4,50	BK-02	PtfP-BR				
91701	Anel Back-UP	50,60	55,30	2,35	3,00	BK-02	PtfP-BR				
53806	Anel Back-UP	51,00	66,00	7,50	0,80	BK-02	PtfP-BR				
49409	Anel Back-UP	51,13	60,43	4,65	1,93	BK-01	Nbr-PT 85Sh				
35299	Anel Back-UP	51,26	53,96	1,35	1,24	BK-01	Nbr-PT 85Sh	(8329)			
35344	Anel Back-UP	51,26	55,62	2,18	1,35	BK-01	Nbr-PT 85Sh	(8033)			
35403	Anel Back-UP	51,36	57,36	3,00	1,27	BK-01	Nbr-PT 85Sh	(8136)			
92749	Anel Back-UP	51,36	57,36	3,00	1,27	BK-01	Vi-fkm 80sh-Pt	(8226)			
35345	Anel Back-UP	52,86	57,22	2,18	1,35	BK-01	Nbr-PT 85Sh				
45785	Anel Back-UP	53,20	62,60	4,70	1,00	BK-02	PtfP-BR	(8137)			
45536	Anel Back-UP	53,50	62,80	4,65	1,10	BK-02	Ny-FUN 50Sh				
35459	Anel Back-UP	54,31	63,61	4,65	1,93	BK-01	Nbr-PT 85Sh				

Código	Especificação	M1	M2	M3	M4	Modelo	Composto	Mercado	Preco R\$	Estoque	Prazo
45786	Anel Back-UP	54,40	63,80	4,70	1,00	BK-02	PtfP-BR	(8330)			
35300	Anel Back-UP	54,43	57,13	1,35	1,24	BK-01	Nbr-PT 85Sh				
35346	Anel Back-UP	54,43	58,79	2,18	1,35	BK-01	Nbr-PT 85Sh	(8034)			
90086	Anel Back-UP	54,50	60,50	3,00	1,27	BK-01	Vi-fkm 90sh-Pt	(8138)			
35404	Anel Back-UP	54,53	60,53	3,00	1,27	BK-01	Nbr-PT 85Sh	8227			
48514	Anel Back-UP	54,53	60,53	3,00	1,27	BK-02	PtfP-BR	(8227)			
50913	Anel Back-UP	55,00	60,00	2,50	1,25	BK-02	PtfP-BR				
42466	Anel Back-UP	55,20	60,20	2,50	1,20	BK-02	PtfP-BR				
35475	Anel Back-UP	55,50	60,50	2,50	1,50	BK-01	Nbr-PT 85Sh				
42461	Anel Back-UP	55,80	61,00	2,60	1,20	BK-02	PtfP-BR				
50914	Anel Back-UP	56,00	76,00	10,00	2,00	BK-02	PtfP-BR				
35347	Anel Back-UP	56,03	60,39	2,18	1,35	BK-01	Nbr-PT 85Sh				
92753	Anel Back-UP	56,60	61,30	2,35	3,00	BK-02	Vi-fkm 80sh-Pt	(8139)			
50383	Anel Back-UP	56,80	62,80	3,00	1,50	BK-02	PtfP-BR				
35301	Anel Back-UP	57,61	60,31	1,35	1,24	BK-01	Nbr-PT 85Sh				
35348	Anel Back-UP	57,61	61,97	2,18	1,35	BK-01	Nbr-PT 85Sh	(8035)			
49410	Anel Back-UP	57,61	66,91	4,65	1,93	BK-01	Nbr-PT 85Sh	(8140)			
35405	Anel Back-UP	57,71	63,71	3,00	1,27	BK-01	Nbr-PT 85Sh	(8331)			
90242	Anel Back-UP	57,71	63,71	3,00	1,27	BK-01	Vi-fkm 90sh-Pt	(8228)			
50418	Anel Back-UP	58,50	66,50	4,00	1,30	BK-01	Vi-fkm 85sh-Pt	8228			
35349	Anel Back-UP	59,21	63,57	2,18	1,35	BK-01	Nbr-PT 85Sh				
90765	Anel Back-UP	59,80	64,80	2,50	1,50	BK-01	Vi-fkm 90sh-Pt	(8141)			
91552	Anel Back-UP	60,00	65,00	2,50	1,27	BK-02	PtfP-BR				
53816	Anel Back-UP	60,00	66,00	3,00	1,80	BK-01	Ny-FUN 50Sh				
42451	Anel Back-UP	60,00	70,00	5,00	2,10	BK-02	Ny-FUN 50Sh				
35302	Anel Back-UP	60,78	63,48	1,35	1,24	BK-01	Nbr-PT 85Sh				
35350	Anel Back-UP	60,78	65,15	2,18	1,35	BK-01	Nbr-PT 85Sh	(8036)			
49411	Anel Back-UP	60,78	70,08	4,65	1,93	BK-01	Nbr-PT 85Sh	(8142)			
90127	Anel Back-UP	60,78	70,08	4,65	1,93	BK-01	Vi-fkm 90sh-Pt	(8332)			
35406	Anel Back-UP	60,88	66,88	3,00	1,27	BK-01	Nbr-PT 85Sh	(8332)			
90766	Anel Back-UP	62,00	68,00	3,00	1,30	BK-01	Vi-fkm 90sh-Pt	(8229)			
59885	Anel Back-UP	62,00	68,00	3,00	1,30	BK-01	Vi-fkm 90sh-Pt				
53673	Anel Back-UP	62,00	78,00	8,00	0,50	BK-02	PtfP-BR				
45531	Anel Back-UP	62,20	69,00	3,40	3,40	BK-02	Ny-FUN 50Sh				
35351	Anel Back-UP	62,38	66,74	2,18	1,35	BK-01	Nbr-PT 85Sh				
35303	Anel Back-UP	63,96	66,66	1,35	1,24	BK-01	Nbr-PT 85Sh	(8143)			
35352	Anel Back-UP	63,96	68,32	2,18	1,35	BK-01	Nbr-PT 85Sh	(8037)			
49412	Anel Back-UP	63,96	73,26	4,65	1,93	BK-01	Nbr-PT 85Sh	(8144)			
47226	Anel Back-UP	63,96	73,26	4,65	1,93	BK-01	PtfP-BR	(8333)			
46979	Anel Back-UP	64,00	74,00	1,70	0,00	BK-02	PtfP-BR	(8333)			
35407	Anel Back-UP	64,06	70,06	3,00	1,27	BK-01	Nbr-PT 85Sh				
50916	Anel Back-UP	65,00	70,00	2,50	1,25	BK-02	PtfP-BR	(8230)			
35353	Anel Back-UP	65,56	69,92	2,18	1,35	BK-01	Nbr-PT 85Sh				
90952	Anel Back-UP	66,83	72,83	3,00	1,27	BK-01	Nbr-PT 90Sh	(8145)			
35408	Anel Back-UP	66,83	72,83	3,00	1,27	BK-01	Nbr-PT 85Sh	8231			
90638	Anel Back-UP	66,83	72,83	3,00	1,27	BK-01	Vi-fkm 90sh-Pt	(8231)			
35304	Anel Back-UP	67,13	69,83	1,35	1,24	BK-01	Nbr-PT 85Sh	(8231)			
35354	Anel Back-UP	67,13	71,49	2,18	1,35	BK-01	Nbr-PT 85Sh	(8038)			
35460	Anel Back-UP	67,13	76,43	4,65	1,93	BK-01	Nbr-PT 85Sh	(8146)			
91499	Anel Back-UP	67,13	76,43	4,65	1,93	BK-01	Vi-fkm 90sh-Pt	(8334)			
49413	Anel Back-UP	68,73	73,09	2,18	1,35	BK-01	Nbr-PT 85Sh				
57728	Anel Back-UP	69,00	73,00	2,00	1,40	BK-02	PtfP-BR	(8147)			
91553	Anel Back-UP	70,00	75,00	2,50	1,27	BK-02	PtfP-BR				
35409	Anel Back-UP	70,00	76,00	3,00	1,27	BK-01	Nbr-PT 85Sh				
57749	Anel Back-UP	70,00	76,00	3,00	4,00	BK-02	PtfP-BR	(8232)			
90024	Anel Back-UP	70,00	76,50	3,00	1,27	BK-01	Vi-fkm 90sh-Pt				
42453	Anel Back-UP	70,00	80,00	5,00	2,10	BK-02	PtfP-BR	8232			
35305	Anel Back-UP	70,31	73,01	1,35	1,24	BK-01	Nbr-PT 85Sh				
35355	Anel Back-UP	70,31	74,67	2,18	1,35	BK-01	Nbr-PT 85Sh	(8039)			
49414	Anel Back-UP	70,31	79,61	4,65	1,93	BK-01	Nbr-PT 85Sh	(8148)			
90125	Anel Back-UP	70,31	79,61	4,65	1,93	BK-01	Vi-fkm 90sh-Pt	(8335)			
45534	Anel Back-UP	70,50	80,70	5,10	0,85	BK-02	Ny-FUN 50Sh	(8335)			
57801	Anel Back-UP	71,00	80,00	4,50	1,70	BK-01	PtfP-BR				

Código	Especificação	M1	M2	M3	M4	Modelo	Composto	Mercado	Preco R\$	Estoque	Prazo
52550	Anel Back-UP	71,50	82,50	5,50	1,55	BK-02	Ny-FUN 50Sh				
35356	Anel Back-UP	71,91	76,27	2,18	1,35	BK-01	Nbr-PT 85Sh				
35410	Anel Back-UP	73,18	79,18	3,00	1,27	BK-01	Nbr-PT 85Sh	(8149)			
90627	Anel Back-UP	73,18	79,18	3,00	1,27	BK-01	Vi-fkm 90sh-Pt	(8233)			
35306	Anel Back-UP	73,48	76,18	1,35	1,24	BK-01	Nbr-PT 85Sh	8233			
35357	Anel Back-UP	73,48	77,84	2,18	1,35	BK-01	Nbr-PT 85Sh	(8040)			
35462	Anel Back-UP	73,48	82,78	4,65	1,93	BK-01	Nbr-PT 85Sh	(8150)			
57684	Anel Back-UP	73,50	78,00	2,25	5,00	BK-02	PtfP-BR	(8336)			
56150	Anel Back-UP	74,20	84,90	5,35	1,85	BK-02	ND				
91436	Anel Back-UP	75,00	80,00	2,50	1,25	BK-02	PtfP-BR				
57744	Anel Back-UP	75,20	81,00	5,90	1,50	BK-02	PtfP-BR				
56872	Anel Back-UP	75,20	84,80	4,80	2,20	BK-02	PtfP-BR				
59763	Anel Back-UP	75,50	82,00	3,25	1,50	BK-02	PtfP-BR				
57858	Anel Back-UP	75,80	80,00	2,10	1,40	BK-01	Nbr-PT 85Sh				
35411	Anel Back-UP	76,35	82,35	3,00	1,27	BK-01	Nbr-PT 85Sh				
51827	Anel Back-UP	76,35	82,35	3,00	1,27	BK-01	PtfP-BR	(8234)			
35307	Anel Back-UP	76,66	79,36	1,35	1,24	BK-01	Nbr-PT 85Sh	(8234)			
35358	Anel Back-UP	76,66	81,02	2,18	1,35	BK-01	Nbr-PT 85Sh	(8041)			
35461	Anel Back-UP	76,66	85,95	4,65	1,93	BK-01	Nbr-PT 85Sh	(8151)			
46877	Anel Back-UP	76,66	85,96	4,65	1,93	BK-01	PtfP-BR	(8337)			
54828	Anel Back-UP	77,65	88,50	5,50	1,93	BK-02	PtfP-BR	(8337)			
35412	Anel Back-UP	79,53	85,53	3,00	1,27	BK-01	Nbr-PT 85Sh				
90022	Anel Back-UP	79,53	85,53	3,00	1,27	BK-01	Vi-fkm 80sh-Pt	(8235)			
47136	Anel Back-UP	79,83	89,13	4,65	1,93	BK-01	Nbr-PT 85Sh	8235			
51193	Anel Back-UP	80,00	94,00	7,00	3,00	BK-02	PtfP-BR	(8338)			
54280	Anel Back-UP	80,30	98,50	9,10	2,70	BK-02	Ny-FUN 50Sh				
57750	Anel Back-UP	81,00	87,80	3,40	1,27	BK-02	Vi-fkm 90sh-Pt				
51225	Anel Back-UP	81,80	99,50	8,85	1,50	BK-02	Ny-FUN 50Sh				
59764	Anel Back-UP	82,00	88,00	3,00	1,25	BK-02	PtfP-BR				
35413	Anel Back-UP	82,70	88,70	3,00	1,27	BK-01	Nbr-PT 85Sh				
90070	Anel Back-UP	82,70	88,70	3,00	1,27	BK-01	Vi-fkm 90sh-Pt	(8236)			
35308	Anel Back-UP	83,01	85,71	1,35	1,24	BK-01	Nbr-PT 85Sh	8236			
35359	Anel Back-UP	83,01	87,37	2,18	1,35	BK-01	Nbr-PT 85Sh	(8042)			
49415	Anel Back-UP	83,13	92,43	4,65	1,93	BK-01	Nbr-PT 85Sh	(8152)			
55418	Anel Back-UP	83,60	89,60	3,00	1,30	BK-01	Vi-fkm 85sh-Pt	(8339)			
55842	Anel Back-UP	84,20	90,00	1,50	0,00	BK-01	PtfP-BR				
48560	Anel Back-UP	85,00	100,00	7,50	3,00	BK-01	PtfP-BR				
35414	Anel Back-UP	85,88	91,88	3,00	1,27	BK-01	Nbr-PT 85Sh				
49416	Anel Back-UP	86,31	95,61	4,65	1,93	BK-01	Nbr-PT 85Sh	(8237)			
54716	Anel Back-UP	86,31	95,61	4,65	1,93	BK-01	Vi-fkm 85sh-Pt	(8340)			
56636	Anel Back-UP	88,00	100,00	6,00	2,00	BK-02	PtfP-BR	(8340)			
35415	Anel Back-UP	89,05	95,05	3,00	1,27	BK-01	Nbr-PT 85Sh				
35309	Anel Back-UP	89,36	92,06	1,35	1,24	BK-01	Nbr-PT 85Sh	(8238)			
35360	Anel Back-UP	89,36	93,72	2,18	1,35	BK-01	Nbr-PT 85Sh	(8043)			
49417	Anel Back-UP	89,48	98,78	4,65	1,93	BK-01	Nbr-PT 85Sh	(8153)			
57729	Anel Back-UP	90,00	94,00	2,00	1,40	BK-02	PtfP-BR	(8341)			
51776	Anel Back-UP	90,00	95,00	2,50	1,25	BK-02	PtfP-BR				
52193	Anel Back-UP	90,00	96,00	3,00	4,00	BK-02	PtfP-BR				
42462	Anel Back-UP	90,00	100,00	5,00	1,00	BK-02	PtfP-BR				
35416	Anel Back-UP	92,23	98,23	3,00	1,27	BK-01	Nbr-PT 85Sh				
49418	Anel Back-UP	92,66	101,96	4,65	1,93	BK-01	Nbr-PT 85Sh	(8239)			
51394	Anel Back-UP	94,00	100,00	3,00	1,70	BK-02	PtfP-BR	(8342)			
57751	Anel Back-UP	94,20	100,00	2,90	1,40	BK-01	Nbr-PT 85Sh				
51354	Anel Back-UP	95,00	100,00	2,50	1,25	BK-02	PtfP-BR				
35417	Anel Back-UP	95,40	101,40	3,00	1,27	BK-01	Nbr-PT 85Sh				
90122	Anel Back-UP	95,40	101,40	3,00	1,27	BK-01	Vi-fkm 90sh-Pt	(8240)			
47691	Anel Back-UP	95,50	105,50	5,00	1,75	BK-02	Pu-PT 90Sh	(8240)			
35310	Anel Back-UP	95,71	98,41	1,35	1,24	BK-01	Nbr-PT 85Sh				
35361	Anel Back-UP	95,71	100,07	2,18	1,35	BK-01	Nbr-PT 85Sh	(8044)			
40050	Anel Back-UP	95,83	105,13	4,65	1,93	BK-01	Vi-fkm 90sh-Pt	(8154)			
49419	Anel Back-UP	95,83	105,13	4,65	1,93	BK-01	Nbr-PT 90Sh	(8343)			
49911	Anel Back-UP	96,00	101,70	2,85	1,20	BK-02	PtfP-BR	(8343)			
50853	Anel Back-UP	96,00	108,00	6,00	3,20	BK-02	Pu-PT 90Sh				



Código	Especificação	M1	M2	M3	M4	Modelo	Composto	Mercado	Preco R\$	Estoque	Prazo
35418	Anel Back-UP	98,58	104,58	3,00	1,27	BK-01	Nbr-PT 85Sh				
90023	Anel Back-UP	98,58	104,58	3,00	1,27	BK-01	Vi-fkm 80sh-Pt	(8241)			
49420	Anel Back-UP	99,01	108,31	4,65	1,93	BK-01	Nbr-PT 85Sh	8241			
57752	Anel Back-UP	100,00	106,00	3,00	4,00	BK-02	ND	(8344)			
51355	Anel Back-UP	100,00	110,00	5,00	1,90	BK-02	PtfP-BR				
35419	Anel Back-UP	101,75	107,75	3,00	1,27	BK-01	Nbr-PT 85Sh				
35311	Anel Back-UP	102,06	104,76	1,35	1,24	BK-01	Nbr-PT 85Sh	(8242)			
35362	Anel Back-UP	102,06	106,42	2,18	1,35	BK-01	Nbr-PT 85Sh	(8045)			
35463	Anel Back-UP	102,31	111,61	4,65	1,93	BK-01	Nbr-PT 90Sh	(8155)			
90865	Anel Back-UP	102,31	111,61	4,65	1,93	BK-01	Vi-fkm 90sh-Pt	(8345)			
35420	Anel Back-UP	104,93	110,93	3,00	1,27	BK-01	Nbr-PT 85Sh	8345			
50969	Anel Back-UP	105,00	110,00	2,50	1,25	BK-02	PtfP-BR	(8243)			
49421	Anel Back-UP	105,49	114,79	4,65	1,93	BK-01	Nbr-PT 85Sh				
46916	Anel Back-UP	106,60	120,00	6,70	2,20	BK-01	PtfP-BR	(8346)			
90755	Anel Back-UP	107,59	113,59	3,00	1,60	BK-01	Vi-fkm 90sh-Pt				
42456	Anel Back-UP	107,80	117,40	4,80	1,70	BK-02	PtfP-BR				
42468	Anel Back-UP	108,00	117,50	4,75	1,75	BK-03	PtfP-BR				
35421	Anel Back-UP	108,10	114,10	3,00	1,27	BK-01	Nbr-PT 85Sh				
40046	Anel Back-UP	108,10	114,10	3,00	1,27	BK-01	Vi-fkm 90sh-Pt	(8244)			
35312	Anel Back-UP	108,41	111,11	1,35	1,24	BK-01	Nbr-PT 85Sh	(8244)			
35363	Anel Back-UP	108,41	112,77	2,18	1,35	BK-01	Nbr-PT 85Sh	(8046)			
49422	Anel Back-UP	108,66	117,96	4,65	1,93	BK-01	Nbr-PT 85Sh	(8156)			
51841	Anel Back-UP	109,00	113,80	2,40	1,25	BK-02	PtfP-BR	(8347)			
56471	Anel Back-UP	109,40	115,00	2,80	1,40	BK-02	PtfP-BR				
57753	Anel Back-UP	110,00	116,00	3,00	4,00	BK-02	PtfP-BR				
59882	Anel Back-UP	110,00	117,00	3,30	1,30	BK-01	Vi-fkm 85sh-Pt				
48068	Anel Back-UP	110,00	120,00	5,00	1,25	BK-03	PtfP-BR				
90756	Anel Back-UP	110,49	120,49	5,00	2,00	BK-01	Vi-fkm 90sh-Pt				
35422	Anel Back-UP	111,28	117,28	3,00	1,27	BK-01	Nbr-PT 85Sh				
35464	Anel Back-UP	111,84	121,14	4,65	1,93	BK-01	Nbr-PT 85Sh	(8245)			
37298	Anel Back-UP	113,60	126,00	1,70	0,00	BK-02	PtfP-BR	(8348)			
35423	Anel Back-UP	114,45	120,45	3,00	1,27	BK-01	Nbr-PT 85Sh				
40047	Anel Back-UP	114,45	120,45	3,00	1,27	BK-01	Vi-fkm 85sh-Pt	(8246)			
48559	Anel Back-UP	114,50	124,00	4,75	1,93	BK-02	PtfP-BR	(8246)			
35313	Anel Back-UP	114,76	117,46	1,35	1,24	BK-01	Nbr-PT 85Sh				
35364	Anel Back-UP	114,76	119,12	2,18	1,35	BK-01	Nbr-PT 85Sh	(8047)			
91435	Anel Back-UP	115,00	120,00	2,50	1,25	BK-02	PtfP-BR	(8157)			
51803	Anel Back-UP	115,00	125,00	5,00	1,90	BK-02	PtfP-BR				
47133	Anel Back-UP	115,01	124,31	4,65	1,93	BK-01	Nbr-PT 85Sh				
49423	Anel Back-UP	115,60	127,58	5,99	2,97	BK-01	Nbr-PT 85Sh	(8349)			
91834	Anel Back-UP	115,60	127,58	5,99	2,97	BK-01	Vi-fkm 90sh-Pt	(8425)			
57730	Anel Back-UP	117,00	126,00	4,50	2,00	BK-02	PtfP-BR	8425			
35424	Anel Back-UP	117,63	123,63	3,00	1,27	BK-01	Nbr-PT 85Sh				
47534	Anel Back-UP	118,19	127,49	4,65	1,93	BK-01	Nbr-PT 85Sh	(8247)			
90031	Anel Back-UP	118,20	136,60	9,20	1,70	BK-01	Vi-fkm 80sh-Pt	(8350)			
52143	Anel Back-UP	118,77	130,75	5,99	2,97	BK-01	Nbr-PT 85Sh				
50911	Anel Back-UP	120,00	125,00	2,50	1,25	BK-02	PtfP-BR	(8426)			
51194	Anel Back-UP	120,00	130,00	5,00	1,90	BK-02	PtfP-BR				
35314	Anel Back-UP	121,11	123,81	1,35	1,24	BK-01	Nbr-PT 85Sh				
35365	Anel Back-UP	121,11	125,47	2,18	1,35	BK-01	Nbr-PT 85Sh	(8048)			
35425	Anel Back-UP	121,11	127,11	3,00	1,27	BK-01	Nbr-PT 85Sh	(8158)			
40048	Anel Back-UP	121,11	127,11	3,00	1,27	BK-01	Vi-fkm 85sh-Pt	(8-248)			
49492	Anel Back-UP	121,36	130,66	4,65	1,93	BK-01	Nbr-PT 85Sh	(8248)			
55977	Anel Back-UP	121,36	130,66	4,65	1,93	BK-01	Vi-fkm 85sh-Pt	(8351)			
52115	Anel Back-UP	121,95	133,93	5,99	2,97	BK-01	Nbr-PT 85Sh	(8351)			
91451	Anel Back-UP	121,95	133,93	5,99	2,97	BK-01	Vi-fkm 90sh-Pt	(8427)			
35426	Anel Back-UP	124,28	130,28	3,00	1,27	BK-01	Nbr-PT 85Sh	8427			
35465	Anel Back-UP	124,54	133,84	4,65	1,93	BK-01	Nbr-PT 85Sh	(8249)			
52144	Anel Back-UP	125,20	137,18	5,99	2,97	BK-01	Nbr-PT 85Sh	(8352)			
42467	Anel Back-UP	127,00	139,00	6,00	3,20	BK-03	PtfP-BR	(8428)			
35315	Anel Back-UP	127,46	130,16	1,35	1,24	BK-01	Nbr-PT 85Sh				
35366	Anel Back-UP	127,46	131,82	2,18	1,35	BK-01	Nbr-PT 85Sh	(8049)			
35427	Anel Back-UP	127,46	133,46	3,00	1,27	BK-01	Nbr-PT 85Sh	(8159)			

Código	Especificação	M1	M2	M3	M4	Modelo	Composto	Mercado	Preco R\$	Estoque	Prazo
91389	Anel Back-UP	127,46	133,46	3,00	1,27	BK-01	PtfP-BR	(8250)			
49494	Anel Back-UP	127,71	137,01	4,65	1,93	BK-01	Nbr-PT 85Sh				
52038	Anel Back-UP	127,71	137,01	4,65	1,93	BK-02	PtfP-BR	(8353)			
35467	Anel Back-UP	128,30	140,28	5,99	2,97	BK-01	Nbr-PT 90Sh	(8353)			
90087	Anel Back-UP	130,60	136,60	3,00	1,27	BK-01	Vi-fkm 90sh-Pt	(8429)			
35428	Anel Back-UP	130,63	136,63	3,00	1,27	BK-01	Nbr-PT 85Sh	8251			
49495	Anel Back-UP	130,89	140,19	4,65	1,93	BK-01	Nbr-PT 85Sh	(8251)			
90864	Anel Back-UP	130,89	140,19	4,65	1,93	BK-01	Vi-fkm 90sh-Pt	(8354)			
52192	Anel Back-UP	131,00	140,00	4,50	1,00	BK-02	PtfP-BR	(8354)			
52145	Anel Back-UP	131,47	143,45	5,99	2,97	BK-01	Nbr-PT 85Sh				
42454	Anel Back-UP	132,00	140,00	4,00	1,90	BK-02	PtfP-BR	(8430)			
90030	Anel Back-UP	133,35	147,50	7,00	2,50	BK-01	Vi-fkm 80sh-Pt				
35316	Anel Back-UP	133,81	136,51	1,35	1,24	BK-01	Nbr-PT 85Sh				
35367	Anel Back-UP	133,81	138,17	2,18	1,35	BK-01	Nbr-PT 85Sh	(8050)			
35429	Anel Back-UP	133,81	139,81	3,00	1,27	BK-01	Nbr-PT 85Sh	(8160)			
58309	Anel Back-UP	133,81	139,81	3,00	1,27	BK-01	PtfP-BR	(8252)			
46764	Anel Back-UP	134,00	146,50	6,25	3,25	BK-02	PtfP-BR				
47274	Anel Back-UP	134,00	147,00	6,50	2,50	BK-01	Nbr-PT 85Sh				
52132	Anel Back-UP	134,06	143,36	4,65	1,93	BK-01	Nbr-PT 85Sh				
57731	Anel Back-UP	134,20	140,00	2,90	1,00	BK-02	PtfP-BR	(8355)			
52146	Anel Back-UP	134,65	146,63	5,99	2,97	BK-01	Nbr-PT 85Sh				
50917	Anel Back-UP	135,00	160,00	12,50	3,00	BK-02	PtfP-BR	(8431)			
35430	Anel Back-UP	136,98	142,98	3,00	1,27	BK-01	Nbr-PT 85Sh				
52133	Anel Back-UP	137,23	146,53	4,65	1,93	BK-01	Nbr-PT 85Sh	(8253)			
49496	Anel Back-UP	137,82	149,80	5,99	2,97	BK-01	Nbr-PT 85Sh	(8356)			
51013	Anel Back-UP	138,00	154,00	8,00	1,57	BK-02	Ny-FUN 50Sh	(8432)			
57732	Anel Back-UP	139,20	145,00	2,90	1,00	BK-02	PtfP-BR				
35368	Anel Back-UP	140,16	144,52	2,18	1,35	BK-01	Nbr-PT 85Sh				
91500	Anel Back-UP	140,16	144,52	2,18	1,35	BK-01	Vi-fkm 90sh-Pt	(8161)			
35431	Anel Back-UP	140,16	146,16	3,00	1,27	BK-01	Nbr-PT 85Sh	8161			
49497	Anel Back-UP	140,41	149,71	4,65	1,93	BK-01	Nbr-PT 85Sh	(8254)			
47302	Anel Back-UP	140,50	150,50	5,00	1,25	BK-02	PtfP-BR	(8357)			
40042	Anel Back-UP	141,00	146,35	2,68	2,25	BK-01	Vi-fkm 85sh-Pt				
49498	Anel Back-UP	141,00	152,98	5,99	2,97	BK-01	Nbr-PT 85Sh				
90631	Anel Back-UP	141,00	152,98	5,99	2,97	BK-01	Vi-fkm 90sh-Pt	(8433)			
35270	Anel Back-UP	142,20	148,20	3,00	3,75	BK-01	Nbr-PT 85Sh	8433			
57733	Anel Back-UP	142,60	148,00	2,70	1,40	BK-02	PtfP-BR				
35432	Anel Back-UP	143,33	149,33	3,00	1,27	BK-01	Nbr-PT 85Sh				
55402	Anel Back-UP	143,33	149,33	3,00	1,45	BK-02	PtfP-BR	(8255)			
49499	Anel Back-UP	143,59	152,89	4,65	1,93	BK-01	Nbr-PT 85Sh	(8255)			
52147	Anel Back-UP	144,17	156,15	5,99	2,97	BK-01	Nbr-PT 85Sh	(8358)			
57734	Anel Back-UP	144,20	150,00	2,90	1,00	BK-02	PtfP-BR	(8434)			
50912	Anel Back-UP	145,00	160,00	7,50	3,00	BK-02	PtfP-BR				
54866	Anel Back-UP	146,00	153,00	6,50	3,50	BK-02	Ny-FUN 50Sh				
51826	Anel Back-UP	146,50	160,00	6,75	3,00	BK-02	PtfP-BR				
35369	Anel Back-UP	146,51	150,87	2,18	1,35	BK-01	Nbr-PT 85Sh				
35433	Anel Back-UP	146,51	152,51	3,00	1,27	BK-01	Nbr-PT 85Sh	(8162)			
49500	Anel Back-UP	146,76	156,06	4,65	1,93	BK-01	Nbr-PT 85Sh	(8256)			
51402	Anel Back-UP	147,35	159,33	5,99	2,97	BK-02	PtfP-BR	(8359)			
49502	Anel Back-UP	147,35	159,33	5,99	2,97	BK-01	Nbr-PT 85Sh	(8435)			
35434	Anel Back-UP	149,68	155,68	3,00	1,27	BK-01	Nbr-PT 85Sh	(8435)			
40049	Anel Back-UP	149,68	155,68	3,00	1,27	BK-01	Vi-fkm 85sh-Pt	(8257)			
49503	Anel Back-UP	149,94	159,24	4,65	1,93	BK-01	Nbr-PT 85Sh	(8257)			
90126	Anel Back-UP	149,94	159,24	4,65	1,93	BK-01	Vi-fkm 90sh-Pt	(8360)			
52148	Anel Back-UP	150,52	162,50	5,99	2,97	BK-01	Nbr-PT 85Sh	(8360)			
53814	Anel Back-UP	150,60	160,00	4,70	1,70	BK-02	PtfP-BR	(8436)			
57735	Anel Back-UP	151,00	160,00	4,50	1,50	BK-02	PtfP-BR				
35435	Anel Back-UP	152,85	158,85	3,00	1,27	BK-01	Nbr-PT 85Sh				
35370	Anel Back-UP	152,86	157,22	2,18	1,35	BK-01	Nbr-PT 85Sh	(8258)			
52134	Anel Back-UP	153,11	162,41	4,65	1,93	BK-01	Nbr-PT 85Sh	(8163)			
49504	Anel Back-UP	153,70	165,68	5,99	2,97	BK-01	Nbr-PT 85Sh	(8361)			
51090	Anel Back-UP	155,00	164,20	4,60	3,00	BK-01	Vi-fkm 75sh-Pt	(8437)			
57736	Anel Back-UP	156,00	165,00	4,50	1,50	BK-02	PtfP-BR				

Código	Especificação	M1	M2	M3	M4	Modelo	Composto	Mercado	Preco R\$	Estoque	Prazo
46915	Anel Back-UP	157,60	171,50	6,95	2,80	BK-01	PtfP-BR				
46735	Anel Back-UP	159,00	170,60	5,80	2,80	BK-03	PtfP-BR				
35371	Anel Back-UP	159,21	163,57	2,18	1,35	BK-01	Nbr-PT 85Sh				
35436	Anel Back-UP	159,21	165,21	3,00	1,27	BK-01	Nbr-PT 85Sh	(8164)			
35468	Anel Back-UP	159,36	171,34	5,99	2,97	BK-01	Nbr-PT 90Sh	(8259)			
91858	Anel Back-UP	159,36	171,34	5,99	2,97	BK-01	Nbr-PT 70sh A	(8438)			
49505	Anel Back-UP	159,46	168,76	4,65	1,93	BK-01	Nbr-PT 85Sh				
90121	Anel Back-UP	159,46	168,76	4,65	1,93	BK-01	Vi-fkm 90sh-Pt	(8362)			
57754	Anel Back-UP	160,00	168,00	4,00	4,00	BK-02	ND	(8362)			
90176	Anel Back-UP	161,00	170,00	4,50	2,00	BK-01	Vi-fkm 90sh-Pt				
46733	Anel Back-UP	164,60	177,00	6,20	3,25	BK-02	Ny-FUN 50Sh				
51851	Anel Back-UP	165,00	180,00	7,50	2,50	BK-02	PtfP-BR				
35372	Anel Back-UP	165,56	169,92	2,18	1,35	BK-01	Nbr-PT 85Sh				
35437	Anel Back-UP	165,56	171,56	3,00	1,27	BK-01	Nbr-PT 85Sh	(8165)			
35469	Anel Back-UP	165,71	177,69	5,99	2,97	BK-01	Nbr-PT 85Sh	(8260)			
51401	Anel Back-UP	165,71	177,69	5,99	2,97	BK-02	PtfP-BR	(8439)			
52135	Anel Back-UP	165,81	175,11	4,65	1,93	BK-01	Nbr-PT 85Sh	(8439)			
90152	Anel Back-UP	166,00	175,00	4,50	2,00	BK-01	Vi-fkm 90sh-Pt	(8363)			
40044	Anel Back-UP	166,00	177,30	5,65	4,70	BK-01	Vi-fkm 85sh-Pt				
35271	Anel Back-UP	167,45	173,45	3,00	1,27	BK-01	Nbr-PT 85Sh				
51033	Anel Back-UP	170,00	180,00	5,00	1,90	BK-02	PtfP-BR				
57737	Anel Back-UP	171,00	180,00	4,50	1,50	BK-02	PtfP-BR				
35373	Anel Back-UP	171,91	176,27	2,18	1,35	BK-01	Nbr-PT 85Sh				
35438	Anel Back-UP	171,91	177,91	3,00	1,27	BK-01	Nbr-PT 85Sh	(8166)			
52149	Anel Back-UP	172,06	184,04	5,99	2,97	BK-01	Nbr-PT 85Sh	(8261)			
49506	Anel Back-UP	172,16	181,46	4,65	1,93	BK-01	Nbr-PT 85Sh	(8440)			
52168	Anel Back-UP	174,20	180,00	1,50	0,00	BK-02	PtfP-BR	(8364)			
35374	Anel Back-UP	178,26	182,62	2,18	1,35	BK-01	Nbr-PT 85Sh				
49507	Anel Back-UP	178,26	184,26	3,00	1,27	BK-01	Nbr-PT 85Sh	(8167)			
35439	Anel Back-UP	178,26	184,26	3,00	3,17	BK-01	Nbr-PT 85Sh	(8262)			
49662	Anel Back-UP	178,41	190,39	5,99	2,97	BK-01	Nbr-PT 85Sh				
49663	Anel Back-UP	178,51	187,81	4,65	1,93	BK-01	Nbr-PT 85Sh	(8441)			
55980	Anel Back-UP	178,51	187,81	4,65	1,93	BK-01	Vi-fkm 85sh-Pt	(8365)			
35375	Anel Back-UP	184,61	188,97	2,18	1,35	BK-01	Nbr-PT 85Sh	(8365)			
35440	Anel Back-UP	184,61	190,61	3,00	1,27	BK-01	Nbr-PT 85Sh	(8168)			
52150	Anel Back-UP	184,76	196,74	5,99	2,97	BK-01	Nbr-PT 85Sh	(8263)			
49664	Anel Back-UP	184,86	194,16	4,65	1,93	BK-01	Nbr-PT 85Sh	(8442)			
91000	Anel Back-UP	184,86	194,16	4,65	1,93	BK-01	Vi-fkm 90sh-Pt	(8366)			
50107	Anel Back-UP	185,00	195,00	5,00	1,90	BK-02	PtfP-BR	8366			
90175	Anel Back-UP	186,00	195,00	4,50	2,00	BK-01	Vi-fkm 90sh-Pt				
50751	Anel Back-UP	188,00	200,00	6,00	3,00	BK-03	PtfP-BR				
35376	Anel Back-UP	190,86	195,22	2,18	1,35	BK-01	Nbr-PT 85Sh				
51032	Anel Back-UP	190,90	196,90	3,00	1,27	BK-02	PtfP-BR	(8169)			
35441	Anel Back-UP	190,96	196,96	3,00	1,27	BK-01	Nbr-PT 85Sh				
57716	Anel Back-UP	191,00	200,00	4,50	1,50	BK-02	PtfP-BR	(8264)			
49665	Anel Back-UP	191,11	203,09	5,99	2,97	BK-01	Nbr-PT 85Sh				
47058	Anel Back-UP	191,21	200,51	4,65	1,93	BK-01	Nbr-PT 85Sh	(8443)			
42457	Anel Back-UP	194,00	200,00	3,00	1,50	BK-01	PtfP-BR	(8367)			
35377	Anel Back-UP	197,31	201,67	2,18	1,35	BK-01	Nbr-PT 85Sh				
35442	Anel Back-UP	197,31	203,31	3,00	1,27	BK-01	Nbr-PT 85Sh	(8170)			
35470	Anel Back-UP	197,46	209,44	5,99	2,97	BK-01	Nbr-PT 85Sh	(8265)			
49666	Anel Back-UP	197,56	206,86	4,65	1,93	BK-01	Nbr-PT 85Sh	(8444)			
53695	Anel Back-UP	198,00	207,60	4,80	2,00	BK-01	Vi-fkm 85sh-Pt	(8368)			
57738	Anel Back-UP	201,00	210,00	4,50	1,50	BK-01	PtfP-BR				
35378	Anel Back-UP	203,66	208,02	2,18	1,35	BK-01	Nbr-PT 85Sh				
35443	Anel Back-UP	203,66	209,66	3,00	1,27	BK-01	Nbr-PT 85Sh	(8171)			
49667	Anel Back-UP	203,81	215,79	5,99	2,97	BK-01	Nbr-PT 85Sh	(8266)			
91835	Anel Back-UP	203,81	215,79	5,99	2,97	BK-01	Vi-fkm 90sh-Pt	(8445)			
49668	Anel Back-UP	203,91	213,21	4,65	1,93	BK-01	Nbr-PT 85Sh	8445			
35379	Anel Back-UP	210,01	214,37	2,18	1,35	BK-01	Nbr-PT 85Sh	(8369)			
35444	Anel Back-UP	210,01	216,01	3,00	1,27	BK-01	Nbr-PT 85Sh	(8172)			
49669	Anel Back-UP	210,26	219,56	4,65	1,93	BK-01	Nbr-PT 85Sh	(8267)			
46738	Anel Back-UP	215,00	226,00	5,50	2,60	BK-03	PtfP-BR	(8370)			

Código	Especificação	M1	M2	M3	M4	Modelo	Composto	Mercado	Preco R\$	Estoque	Prazo
46736	Anel Back-UP	216,00	228,00	6,00	3,00	BK-02	PtfP-BR				
35380	Anel Back-UP	216,36	220,72	2,18	1,35	BK-01	Nbr-PT 85Sh				
35445	Anel Back-UP	216,36	222,36	3,00	1,27	BK-01	Nbr-PT 85Sh	(8173)			
49670	Anel Back-UP	216,51	228,49	5,99	2,97	BK-01	Nbr-PT 85Sh	(8268)			
49671	Anel Back-UP	216,61	225,91	4,65	1,93	BK-01	Nbr-PT 85Sh	(8446)			
57169	Anel Back-UP	217,00	228,00	5,80	2,10	BK-02	PtfP-BR	(8371)			
40043	Anel Back-UP	217,02	227,98	5,48	1,93	BK-01	PtfP-BR				
51211	Anel Back-UP	220,00	230,00	5,00	1,90	BK-02	PtfP-BR				
35466	Anel Back-UP	222,12	231,42	4,65	1,93	BK-01	Nbr-PT 85Sh				
35381	Anel Back-UP	222,71	227,07	2,18	1,35	BK-01	Nbr-PT 85Sh	(8372)			
35446	Anel Back-UP	222,71	228,71	3,00	1,27	BK-01	Nbr-PT 85Sh	(8174)			
35382	Anel Back-UP	229,06	233,42	2,18	1,35	BK-01	Nbr-PT 85Sh	(8269)			
35447	Anel Back-UP	229,06	235,06	3,00	1,27	BK-01	Nbr-PT 85Sh	(8175)			
47131	Anel Back-UP	229,21	241,19	5,99	2,97	BK-01	Nbr-PT 85Sh	(8270)			
49672	Anel Back-UP	229,31	238,61	4,65	1,93	BK-01	Nbr-PT 85Sh	(8447)			
51210	Anel Back-UP	230,00	240,00	5,00	1,90	BK-02	PtfP-BR	(8373)			
56826	Anel Back-UP	233,32	245,95	6,32	2,50	BK-02	PtfP-BR				
57739	Anel Back-UP	233,40	245,00	5,80	3,50	BK-02	PtfP-BR				
35448	Anel Back-UP	234,41	240,41	3,00	1,27	BK-01	Nbr-PT 85Sh				
56825	Anel Back-UP	235,00	248,00	6,50	2,50	BK-02	PtfP-BR	(8271)			
35383	Anel Back-UP	235,41	239,77	2,18	1,35	BK-01	Nbr-PT 85Sh				
52136	Anel Back-UP	235,66	244,96	4,65	1,93	BK-01	Nbr-PT 90Sh	(8176)			
57740	Anel Back-UP	240,40	252,00	5,80	2,00	BK-02	PtfP-BR	(8374)			
90177	Anel Back-UP	240,40	252,00	5,80	3,50	BK-01	Vi-fkm 90sh-Pt				
35384	Anel Back-UP	241,76	246,12	2,18	1,35	BK-01	Nbr-PT 85Sh				
35449	Anel Back-UP	241,76	247,76	3,00	1,27	BK-01	Nbr-PT 85Sh	(8177)			
49673	Anel Back-UP	241,91	253,89	5,99	2,97	BK-01	Nbr-PT 85Sh	(8272)			
52137	Anel Back-UP	242,01	251,31	4,65	1,93	BK-01	Nbr-PT 85Sh	(8448)			
90090	Anel Back-UP	242,01	251,31	4,65	1,93	BK-01	Vi-fkm 90sh-Pt	(8375)			
57741	Anel Back-UP	243,40	255,00	5,80	3,50	BK-02	PtfP-BR	8375			
55728	Anel Back-UP	248,00	262,00	7,00	3,00	BK-01	Nbr-PT 85Sh				
35385	Anel Back-UP	248,11	252,47	2,18	1,35	BK-01	Nbr-PT 85Sh				
35450	Anel Back-UP	248,11	254,11	3,00	1,27	BK-01	Nbr-PT 85Sh	(8178)			
52138	Anel Back-UP	248,36	257,66	4,65	1,93	BK-01	Nbr-PT 85Sh	(8273)			
56470	Anel Back-UP	250,00	260,00	5,00	5,00	BK-02	PtfP-BR	(8376)			
42452	Anel Back-UP	254,00	268,00	7,00	8,00	BK-02	PtfP-BR				
35451	Anel Back-UP	254,46	260,46	3,00	1,27	BK-01	Nbr-PT 85Sh				
49674	Anel Back-UP	254,61	266,59	5,99	2,97	BK-01	Nbr-PT 85Sh	(8274)			
52139	Anel Back-UP	254,71	264,01	4,65	1,93	BK-01	Nbr-PT 85Sh	(8449)			
51182	Anel Back-UP	265,00	280,00	7,50	3,20	BK-02	Nbr-PT 85Sh	(8377)			
90153	Anel Back-UP	266,40	278,00	5,80	3,50	BK-01	Vi-fkm 90sh-Pt				
35452	Anel Back-UP	267,16	273,16	3,00	1,27	BK-01	Nbr-PT 85Sh				
52151	Anel Back-UP	267,31	279,29	5,99	2,97	BK-01	Nbr-PT 85Sh	(8275)			
49675	Anel Back-UP	267,41	276,71	4,65	1,93	BK-01	Nbr-PT 85Sh	(8450)			
35453	Anel Back-UP	279,86	285,86	3,00	1,27	BK-01	Nbr-PT 85Sh	(8378)			
52152	Anel Back-UP	280,01	291,99	5,99	2,97	BK-01	Nbr-PT 85Sh	(8276)			
52140	Anel Back-UP	280,11	289,41	4,65	1,93	BK-01	Nbr-PT 85Sh	(8451)			
49509	Anel Back-UP	286,00	296,00	2,27	5,00	BK-01	PtfP-BR	(8379)			
92324	Anel Back-UP	291,00	303,00	6,00	5,90	BK-01	PtfP-BR				
35454	Anel Back-UP	292,56	298,56	3,00	1,27	BK-01	Nbr-PT 85Sh				
47132	Anel Back-UP	292,71	304,69	5,99	2,97	BK-01	Nbr-PT 85Sh	(8277)			
91836	Anel Back-UP	292,71	304,69	5,99	2,97	BK-01	Vi-fkm 90sh-Pt	(8452)			
52141	Anel Back-UP	292,81	302,11	4,65	1,93	BK-01	Nbr-PT 85Sh	8452			
35455	Anel Back-UP	298,04	310,02	5,99	2,97	BK-01	Nbr-PT 85Sh	(8380)			
51389	Anel Back-UP	305,28	311,28	3,00	1,27	BK-01	Nbr-PT 85Sh	(8478)			
52153	Anel Back-UP	305,41	317,39	5,99	2,97	BK-01	Nbr-PT 85Sh	(8278)			
52142	Anel Back-UP	305,51	314,81	4,65	1,93	BK-01	Nbr-PT 85Sh	(8453)			
52154	Anel Back-UP	318,11	330,09	5,99	2,97	BK-01	Nbr-PT 85Sh	(8381)			
90384	Anel Back-UP	322,40	334,00	5,80	3,50	BK-01	Vi-fkm 90sh-Pt	(8454)			
35456	Anel Back-UP	330,66	336,66	3,00	1,27	BK-01	Nbr-PT 85Sh				
90560	Anel Back-UP	343,51	355,51	5,99	2,97	BK-01	Vi-fkm 90sh-Pt	(8279)			
57613	Anel Back-UP	347,00	363,00	8,00	2,60	BK-01	Nbr-PT 80Sh	8456			
51084	Anel Back-UP	350,80	360,00	4,60	3,00	BK-01	Nbr-PT 85Sh				

Código	Especificação	M1	M2	M3	M4	Modelo	Composto	Mercado	Preco R\$	Estoque	Prazo
51782	Anel Back-UP	354,00	367,00	6,50	2,60	BK-02	PtfP-BR				
51783	Anel Back-UP	356,00	369,00	6,50	2,60	BK-02	PtfP-BR				
35457	Anel Back-UP	356,06	362,06	3,00	1,27	BK-01	Nbr-PT 85Sh				
51212	Anel Back-UP	357,00	367,00	5,00	1,90	BK-02	PtfP-BR	(8280)			
51091	Anel Back-UP	360,00	369,20	4,60	3,00	BK-01	Vi-fkm 75sh-Pt				
90548	Anel Back-UP	365,00	380,60	2,00	0,00	BK-02	Ptfe-BZ				
57493	Anel Back-UP	368,30	380,80	1,25	0,00	BK-02	PtfP-BR				
50929	Anel Back-UP	370,00	394,00	12,00	5,00	BK-02	Pu-PT 90Sh				
90228	Anel Back-UP	380,40	392,00	5,80	3,50	BK-01	Vi-fkm 90sh-Pt				
35458	Anel Back-UP	381,45	387,45	3,00	1,27	BK-01	Nbr-PT 85Sh				
55404	Anel Back-UP	386,00	396,00	10,00	3,00	BK-01	Nbr-PT 85Sh	(8281)			
53692	Anel Back-UP	390,00	404,40	7,20	3,00	BK-01	Vi-fkm 85sh-Pt				
57492	Anel Back-UP	390,20	403,00	1,20	0,00	BK-02	PtfP-BR				
52155	Anel Back-UP	394,31	406,29	5,99	2,97	BK-01	Nbr-PT 85Sh				
90549	Anel Back-UP	395,00	410,60	2,00	0,00	BK-02	Ptfe-BZ	(8460)			
57743	Anel Back-UP	413,40	425,00	5,80	3,50	BK-02	PtfP-BR				
57742	Anel Back-UP	473,40	485,00	5,80	3,50	BK-02	PtfP-BR				
91837	Anel Back-UP	482,70	494,70	5,99	2,97	BK-01	Vi-fkm 90sh-Pt				
51089	Anel Back-UP	490,80	500,00	4,60	3,00	BK-01	Nbr-PT 85Sh	8467			
59599	Anel Back-UP	495,40	507,40	2,97	0,00	BK-01	Nbr-PT 90Sh				
46887	Anel Back-UP	510,50	520,00	4,75	3,50	BK-01	Vi-fkm 80sh-Pt	8468			